



**Thermal Edge Inc.™**

# THERMOSTATS

## KTO 011 / KTS 011 Small Thermostat



- Compact design
- Wide adjustment range
- Color coded temperature dials
- DIN rail mountable

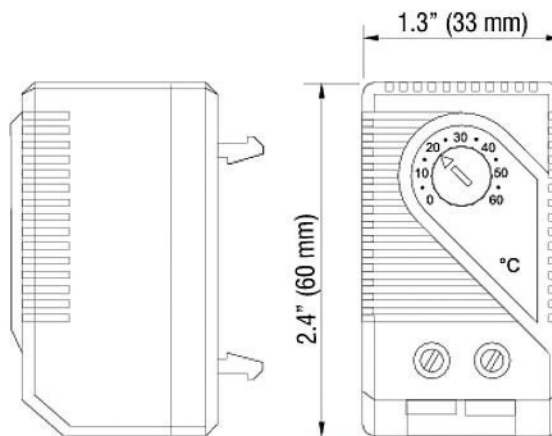
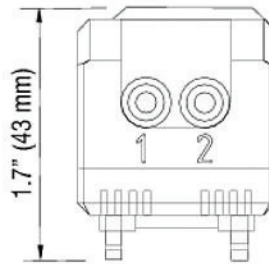
Thermostat (NC): Thermostat opens on temperature rise - for regulating heaters or for switching signal devices. Comes with red temperature dial.

Thermostat (NO): Thermostat closes on temperature rise - for regulating filter fans and heat exchangers or for switching signal devices. Comes with blue temperature dial.

Switching difference	12.6 °F ± 7 °F tolerance (7 K ± 4 K)
Sensor element	thermostatic bimetal
Contact type	snap-action contact
Max. switching capacity	15 A resistive / 2 A inductive @ AC 120 V 10 A resistive / 2 A inductive @ AC 250 V DC 30 W (DC 24-72 V)
Max. inrush current	AC 16 A for 10 sec.
Mounting	clip for 35 mm DIN rail, EN 60715
Dimensions	2.4 x 1.3 x 1.7" (60 x 33 x 43 mm)
Weight	approx. 1.4 oz. (40 g)

Setting range	Part no. (NC)	Part no. (NO)
+32 to +140 °F	01140.9-00	01141.9-00
0 to +60 °C	01146.9-00	01147.9-00

Important note: The contact system of the regulator is subjected to environmental influences, thus the contact resistance may change. This can lead to a voltage drop and / or self-heating of the contacts.



Small Thermostat KT 011 / KTS 011



All information subject to change without notice

**Get the Edge... Get Thermal Edge**  
Temperature Control Solutions for Electrical Enclosures

(972) 580-0200 • [www.thermal-edge.com](http://www.thermal-edge.com) • [thermalinfo@thermal-edge.com](mailto:thermalinfo@thermal-edge.com)

# THERMOSTATS

## ZR 011 Dual Thermostat



- NC / NO or NO / NO in one unit
- Separate adjustable temperatures
- Color coded temperature dials
- DIN rail mountable

The ZR 011 houses two separate thermostats, allowing the independent control of heating and cooling or other equipment.

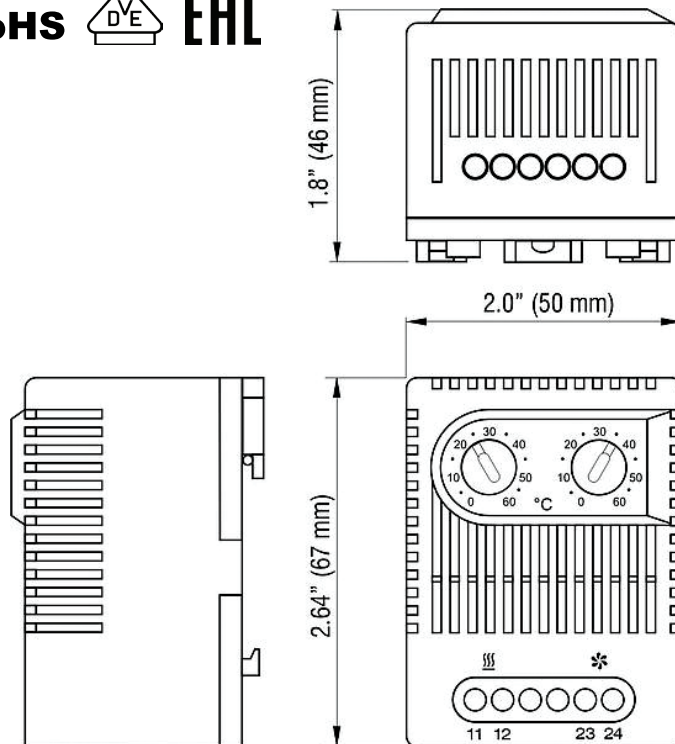
Thermostat NC (normally closed): Thermostat opens at temperature rise - for regulating heaters or for switching signal devices. Comes with red temperature dial.

Thermostat NO (normally open): Thermostat closes at temperature rise - for regulating filter fans and heat exchangers or for switching signal devices. Comes with blue temperature dial.

Part no.	Setting range		Setting range	
01172.0-00	NC - open on rise	0 to +60 °C	NO - close on rise	0 to +60 °C
01172.0-01	NC - open on rise	+32 to +140 °F	NO - close on rise	+32 to +140 °F
01176.0-00 <sup>1</sup>	NO - close on rise	0 to +60 °C	NO - close on rise	0 to +60 °C
01176.0-01 <sup>1</sup>	NO - close on rise	+32 to +140 °F	NO - close on rise	+32 to +140 °F

<sup>1</sup> For regulating heat exchangers and fans (e. g. LE 019) and as an alarm contact for monitoring the interior temperature of electronic enclosures.

Sensor element	thermostatic bimetal	Max. inrush current	AC 16 A for 10 sec.
Contact type	snap-action contact	Mounting	clip for 35 mm DIN rail, EN 60715
Max. switching capacity	NC: 10 A resistive / 2 A inductive @ AC 250 V NO: 5 A resistive / 2 A inductive @ AC 250 V 15 A resistive / 2 A inductive @ AC 120 V DC 30 W (DC 24-72 V)	Dimensions	2.6 x 2.0 x 1.8" (67 x 50 x 46 mm)
		Weight	approx. 3.2 oz. (90 g)



Dual Thermostat ZR 011

All information subject to change without notice

**Get the Edge... Get Thermal Edge**  
Temperature Control Solutions for Electrical Enclosures