

2000 BTUH | INDOOR/OUTDOOR, UL TYPES 12, 4 & 4X AVAILABLE

Engineered & manufactured to endure the most difficult of environments and applications. Thermal Edge air conditioners will exceed environmental requirements in applications like Steel, Food Processing, Petro-Chemical, Cement, Paper & Pulp and Plastics.



OPTIONS:

- Low/High Ambient
- Remote Controller
- Corrosion Protection
- Redundant System
- Controller Programming
- Open Door Kill Switch
- Remote Control/Monitor
- Extended Temp. Probe
- Heater
- Dry Contact
- Filter/Filter Frame
- Custom Finish
- Diagnostics

Digital Temperature Controller

- Programmable set point and temperature controls
- Visible Error and/or alarm messaging
- System status indication & keypad lockout function

Active Condensate Evaporation System

- Constant elimination of condensate
- Increases unit efficiency by pre-cooling refrigerant

Key Design Features

- Sloped top to allow for water runoff
- Designed with rigid chassis and seam welded shroud
- Thoughtful interior design for easy maintenance
- Narrow body style fits on 10" deep enclosure

Unit Efficiency

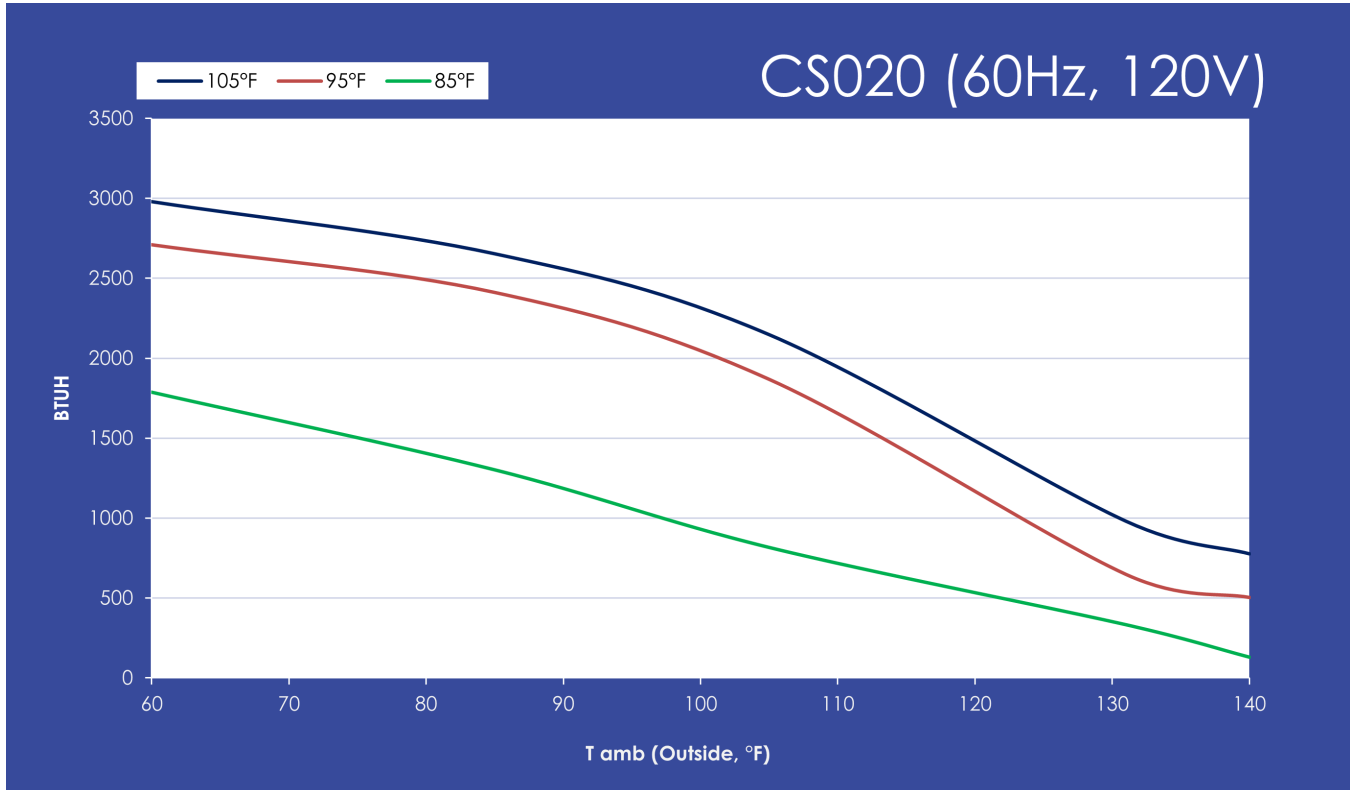
- Highly efficient rotary compressor
- Fully insulated & sealed cabinet
- Thermal Expansion Valve to maintain cooling capacity over a broad ambient temperature range

Compressor Protection System

- High & Low refrigerant cutouts with fault indication
- Compressor anti short cycle protection
- Thermal overload protector
- Compressor run capacitors reduce power inrush, save energy and increase compressor life

Model	UL Type	BTU/Hour	Material	Voltage/Phase/Hz.	Running Amps	Max. Amb. Temp.	H x W x D	Unit Weight (lbs.)
CS02012612	12	2000	Powder coated steel	120/1/60	4.1	131°F	20" x 10" x 10"	44
CS02012604	4	2000	Powder coated steel	120/1/60	4.1	131°F	20" x 10" x 10"	44
CS0201264X	4X	2000	Stainless steel	120/1/60	4.1	131°F	20" x 10" x 10"	44
CS0201264XL4	4X	2000	Mill finish aluminum	120/1/60	4.1	131°F	20" x 10" x 10"	34

Testing done under controlled conditions. Actual performance may vary.



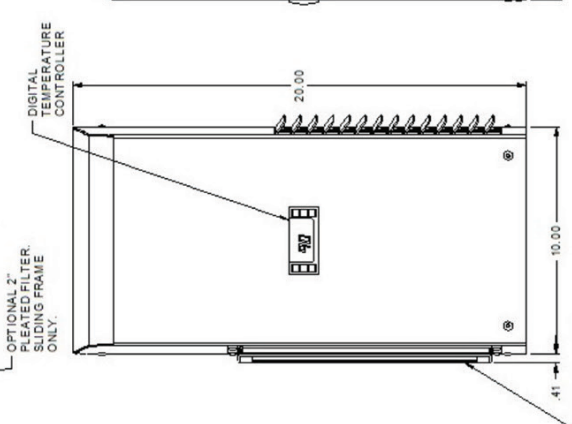
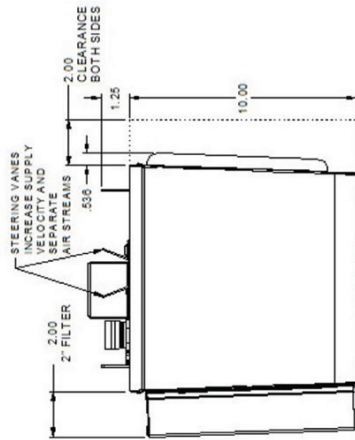
ATTENTION: If ordering a replacement for a Thermal Edge air conditioner, please include the part number and serial number of the unit being replaced in your order. This will ensure that we ship a replacement that is compatible with the cutout dimensions and power connection features of the older model. All information subject to change without notice.

CS020 DRAWING

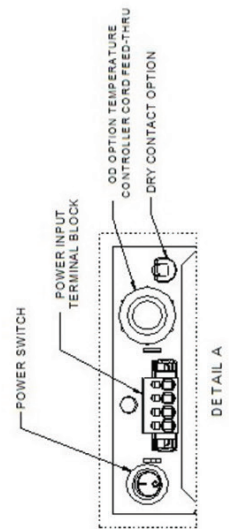
2000 BTUH | INDOOR/OUTDOOR, UL TYPES 12, 4 & 4X AVAILABLE



REV	COMMENTS
1	ISSUED
2	REVISED
3	REVISED
4	REVISED
5	REVISED
6	REVISED
7	REVISED
8	REVISED
9	REVISED
10	REVISED
11	REVISED
12	REVISED
13	REVISED
14	REVISED
15	REVISED
16	REVISED
17	REVISED
18	REVISED
19	REVISED
20	REVISED
21	REVISED
22	REVISED
23	REVISED
24	REVISED
25	REVISED
26	REVISED
27	REVISED
28	REVISED
29	REVISED
30	REVISED
31	REVISED
32	REVISED
33	REVISED
34	REVISED
35	REVISED
36	REVISED
37	REVISED
38	REVISED
39	REVISED
40	REVISED
41	REVISED
42	REVISED
43	REVISED
44	REVISED
45	REVISED
46	REVISED
47	REVISED
48	REVISED
49	REVISED
50	REVISED
51	REVISED
52	REVISED
53	REVISED
54	REVISED
55	REVISED
56	REVISED
57	REVISED
58	REVISED
59	REVISED
60	REVISED
61	REVISED
62	REVISED
63	REVISED
64	REVISED
65	REVISED
66	REVISED
67	REVISED
68	REVISED
69	REVISED
70	REVISED
71	REVISED
72	REVISED
73	REVISED
74	REVISED
75	REVISED
76	REVISED
77	REVISED
78	REVISED
79	REVISED
80	REVISED
81	REVISED
82	REVISED
83	REVISED
84	REVISED
85	REVISED
86	REVISED
87	REVISED
88	REVISED
89	REVISED
90	REVISED
91	REVISED
92	REVISED
93	REVISED
94	REVISED
95	REVISED
96	REVISED
97	REVISED
98	REVISED
99	REVISED
100	REVISED

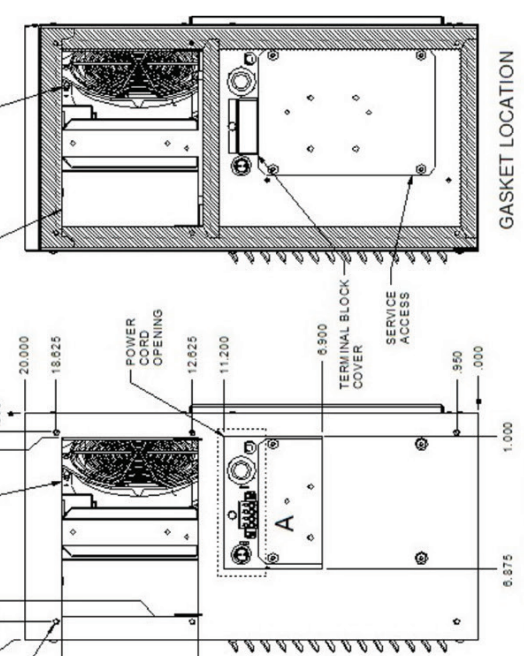


AMBIENT AIR IN.
REUSABLE FILTER.
1) OPTIONAL 2" FILTER.
2) OPTIONAL 2" FILTER WITH SLIDING FRAME ONLY.



ONLY A SINGLE AIRFLOW OPENING IS REQUIRED
10.000 8.934
9.188
18.375
12.375
1.810
12.625
11.200
8.900
9.50
1.000
8.875
1.000

EASY MOUNT FLANGE ASSISTS ONE-MAN INSTALLATION; UNIT INITIALLY PLUGS INTO AIR FLOW OPENING



CUTOUT DIMENSIONS AS VIEWED FROM INSIDE ENCLOSURE