

**2000 BTUH | INDOOR/OUTDOOR, UL TYPES 12, 4 & 4X AVAILABLE**

Engineered & manufactured to endure the most difficult of environments and applications. Thermal Edge air conditioners will exceed environmental requirements in applications like Steel, Food Processing, Petro-Chemical, Cement, Paper & Pulp and Plastics.



### Digital Temperature Controller

- Programmable set point and temperature controls
- Visible Error and/or alarm messaging
- System status indication & keypad lockout function

### Active Condensate Evaporation System

- Constant elimination of condensate
- Increases unit efficiency by pre-cooling refrigerant

### Key Design Features

- Sloped top to allow for water runoff
- Designed with rigid chassis and seam welded shroud
- Thoughtful interior design for easy maintenance
- Narrow body style fits on 10" deep enclosure

### Unit Efficiency

- Highly efficient rotary compressor
- Fully insulated & sealed cabinet
- Thermal Expansion Valve to maintain cooling capacity over a broad ambient temperature range

### Compressor Protection System

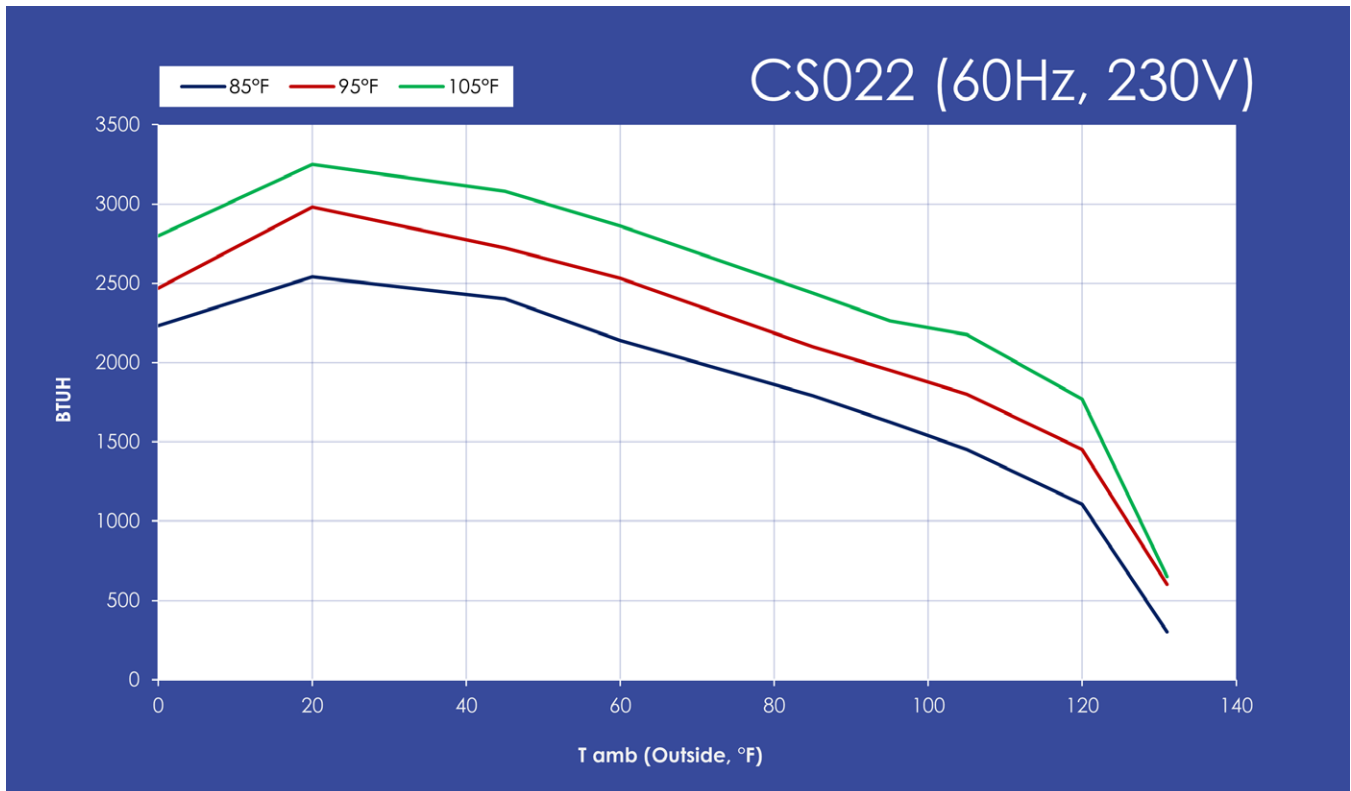
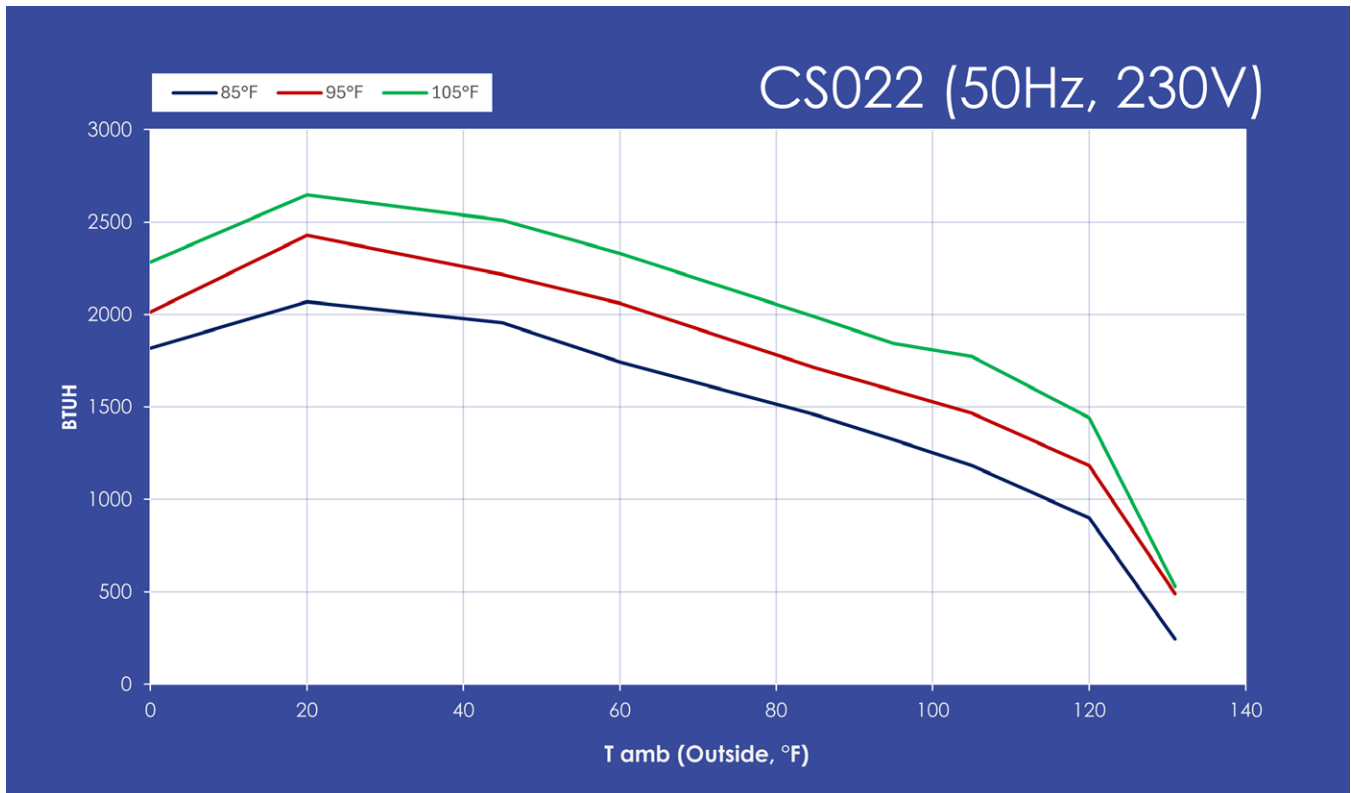
- High & Low refrigerant cutouts with fault indication
- Compressor anti short cycle protection
- Thermal overload protector
- Compressor run capacitors reduce power inrush, save energy and increase compressor life

### OPTIONS:

- Low/High Ambient
- Remote Controller
- Corrosion Protection
- Redundant System
- Controller Programming
- Open Door Kill Switch
- Remote Control/Monitor
- Extended Temp. Probe
- Heater
- Dry Contact
- Hazardous Location
- Filter/Filter Frame
- Custom Finish
- Diagnostics

Model	UL Type	BTU/Hour	Material	Voltage/Phase/Hz.	Running Amps	Max. Amb. Temp.	H x W x D	Unit Weight (lbs.)
CS02223012	12	2000	Powder coated steel	230/1/50-60	1.37	125	20" x 10" x 10"	49
CS02223004	4	2000	Powder coated steel	230/1/50-60	1.37	125	20" x 10" x 10"	49
CS0222304X	4X	2000	Stainless Steel	230/1/50-60	1.37	125	20" x 10" x 10"	49
CS0222304XL4	4X	2000	Mill finish aluminum	230/1/50-60	1.37	125	20" x 10" x 10"	39

Testing done under controlled conditions. Actual performance may vary.



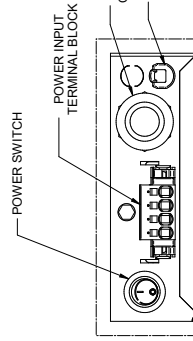
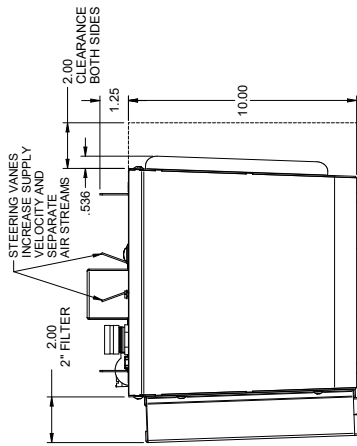
**ATTENTION:** If ordering a replacement for a Thermal Edge air conditioner, please include the part number and serial number of the unit being replaced in your order. This will ensure that we ship a replacement that is compatible with the cutout dimensions and power connection features of the older model. All information subject to change without notice.

# CS022 DRAWING

2000 BTUH | INDOOR/OUTDOOR, UL TYPES 12, 4 & 4X AVAILABLE

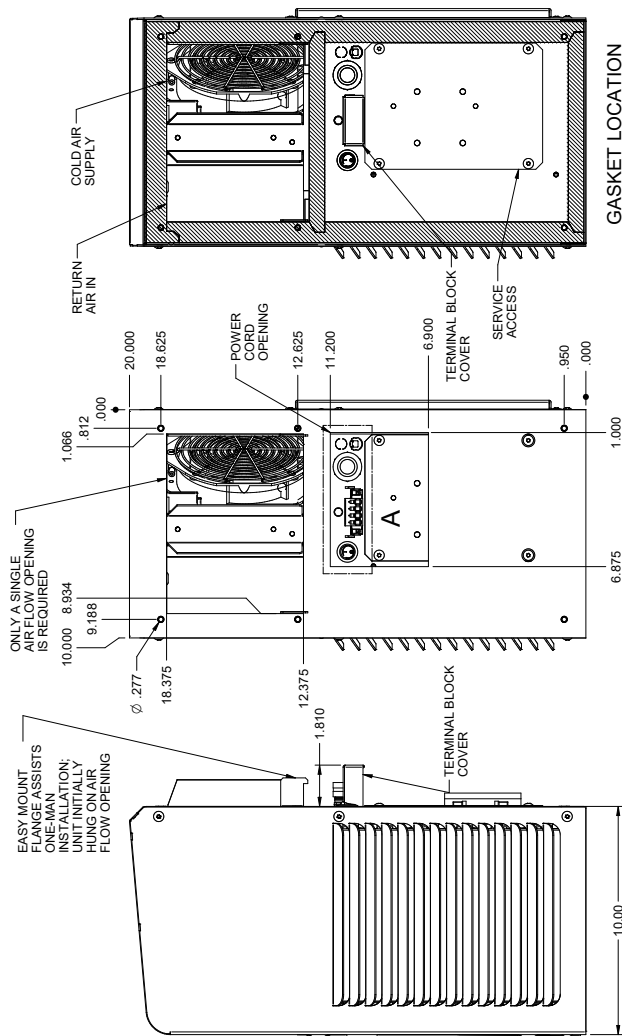
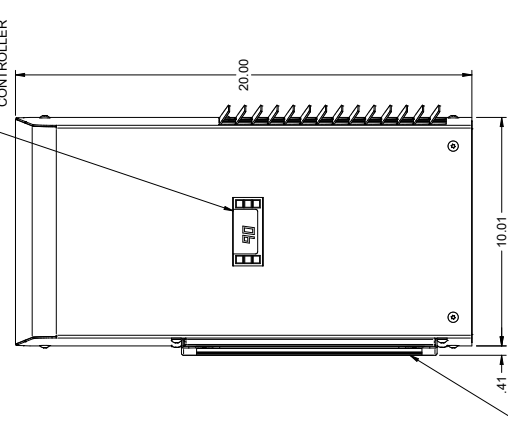
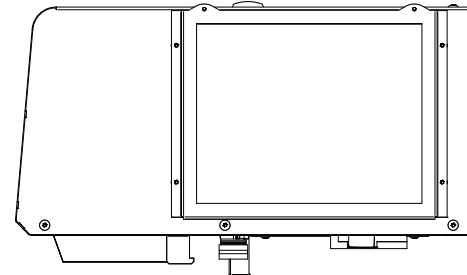


TITLE	COMPACT SERIES	
	2000 BTUH - 115VAC AND 230VAC	
SIZE	DWG NO	REV
14 X 5 1/2	CS022	2/18/2018
SCALE	WEIGHT:	SHEET 1 OF 1
FORM 104, 03/2012, 2899g.01		



ONLY A SINGLE CORD OPENING IS REQUIRED

EASY MOUNT FLANGE ASSISTS ONE-MAN INSTALLATION; HINGED FLANGE HIDE FLANGE HIDE FLOW OPENING



AMBIENT AIR IN:  
 1) REUSABLE FILTER, STANDARD  
 2) SLIDING FRAME, REUSABLE FILTER, WITH SLIDING FRAME ONLY