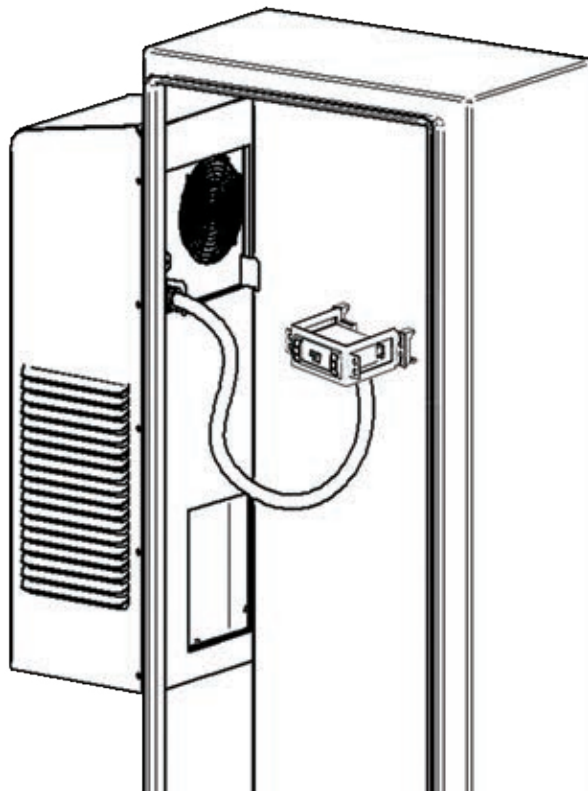
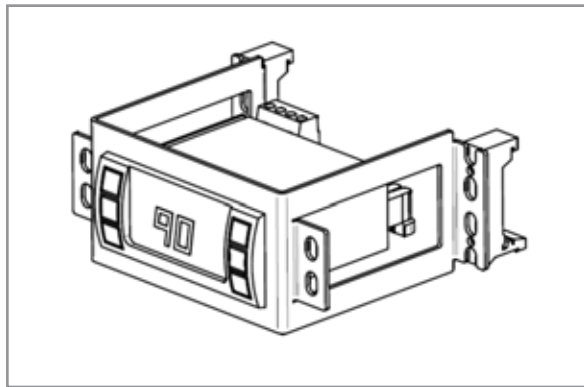


# REMOTE CONTROLLER OPTION (BX)

When having our Programmable Digital Controller on the face of our Air Conditioner does not fit your application, Thermal Edge offers the Remote Controller Option: a sophisticated controller bracket for your remote applications.

This is a field installed, multi-position mounting bracket that can be vertically or horizontally mounted on a server rack or clipped onto a din rail. This option moves the controller into your enclosure using a 10' cable to allow for a completely enclosed shroud with no openings on the face of the unit. The 16-gauge stainless steel construction comes standard which will protect the bracket from rust and corrosion.



The side tabs located on each side of the controller face plate will be used for mounting to the server rack. Two din rail clips with four screws will be provided for din rail mounting applications.

Additionally, for high pressure wash down applications, the filter hood or louvered cover options would be *required* along with this remote mounted controller option.