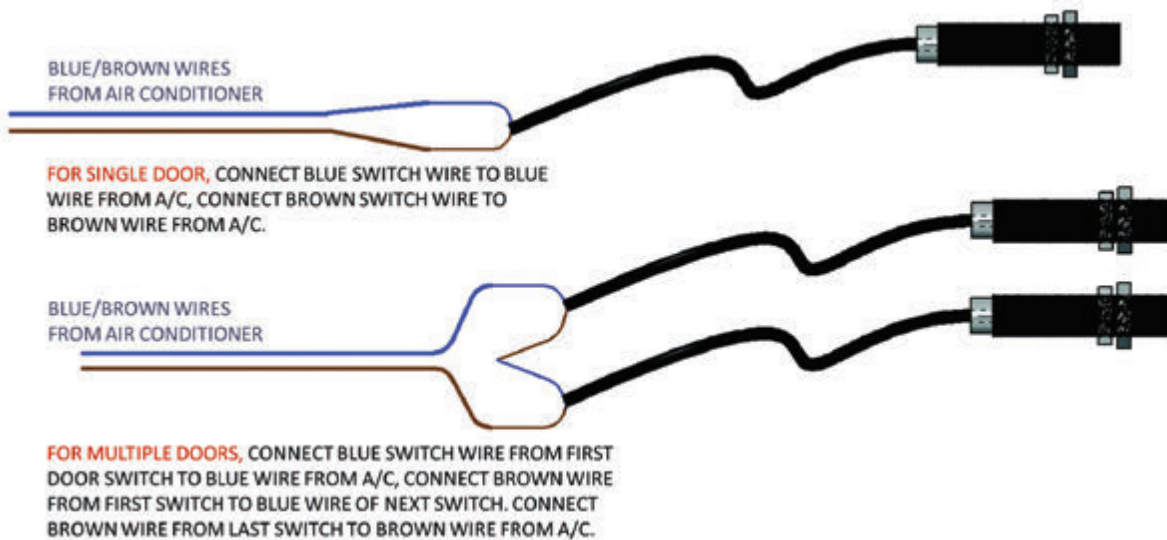


OPEN DOOR KILL SWITCH (K4) & DOOR SWITCH ADD-ON KIT



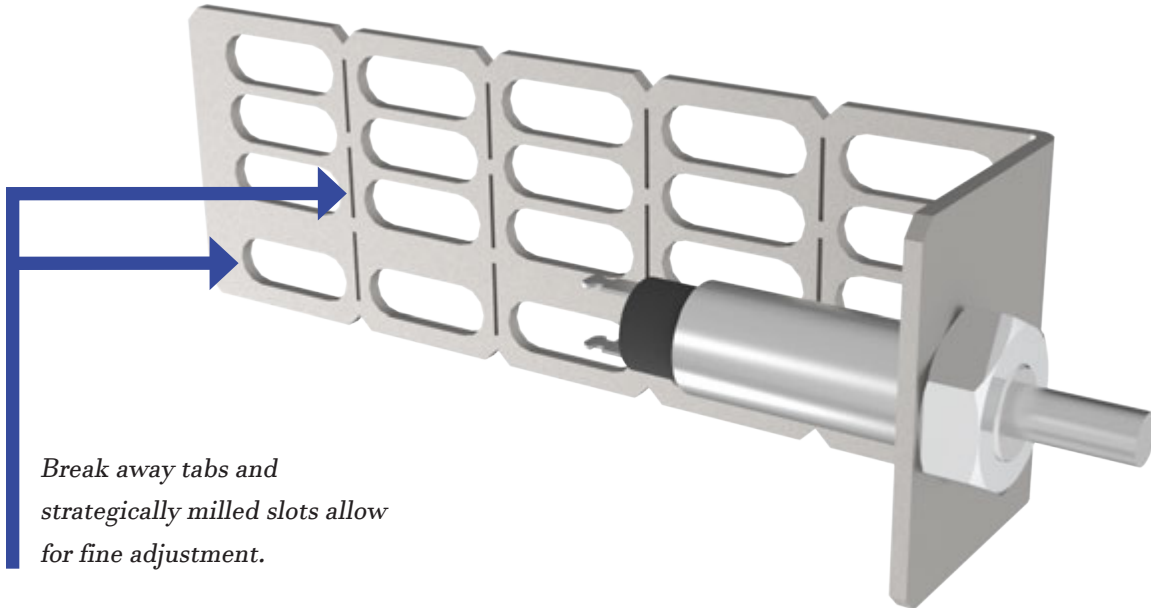
The Thermal Edge Open Door Kill Switch is designed to automatically shut off the enclosure air conditioner when the door of the enclosure is opened. When the door is closed, the air conditioner will resume normal operation. Each door switch is supplied with a 7-foot low-voltage cable and a mounting bracket.

WIRING DIAGRAM FOR DOOR SWITCH ADD-ON KIT (PART NO. 53058-KIT)



CONFIGURATION	ORDER INFORMATION
1 Air Conditioner : 1 Door	Order Option K4 for 7' cable + Proxy Sensor, K5 for 16' cable + Proxy Sensor
1 Air Conditioner : 1 to 2 doors MAX	Order Option K6 plus one Door Switch Add-on Kit (Part No. 53058-Kit) for the additional door (proxy sensor)
Low voltage Proxy Sensor Wires	Order Option K7 for low voltage wires only (For Proxy and Mechanical Sensor)

OPEN DOOR KILL SWITCH (K10) SP/NO MULTI-VOLTAGE



CHARACTERISTICS & FEATURES:

- 16-Gauge stainless steel construction
- N.O. Plunger style switch
- Part no. 53054-Kit (includes 12" pig tails pre wired to the sensor terminals)
- Slot spacing allows placement on .5 or .625 rack mount holes.

CONFIGURATION	ORDER INFORMATION
1 Air Conditioner: 1 Door	Order Option K10 for Mechanical SP/ST, N.O. multi-voltage door switch
1 Air Conditioner: 2+ Doors	Order K10, + Door Switch Add-on kit (Part No. 53054-KIT) for each additional door