

## HAZARDOUS LOCATIONS

**3000 BTUH | INDOOR/OUTDOOR, UL TYPES 12, 4 & 4X AVAILABLE**

Designed to provide nonincendive cooling for electrical enclosures in hazardous locations, these closed-loop units are ideal for use on systems in chemical and petrochemical, refining, onshore and offshore drilling applications.



### OPTIONS:

- Corrosion Protection
- Low Ambient
- Remote Controller
- Dry Contact
- Controller Programming
- External Heater Control (for Haz Loc enclosure heaters)
- Filter/Filter Frame
- Extended Temp. Probe
- Vibration Resistant
- Custom Finish

### Thermal Edge NE03S Hazardous Location air conditioners are certified to the following standard(s):\*

- ANSI/ISA-12.12.01-2015 Nonincendive Electrical Equipment for use in Class I, Division 2, Groups A, B, C, and D T4 Hazardous (Classified) Locations
- CAN/CSA C22.2 No. 213-15 Nonincendive Electrical Equipment for use in Class I, Division 2, Groups A, B, C, and D T4 Hazardous (Classified) Locations
- $0^{\circ}\text{C} \leq T_a \leq +50^{\circ}\text{C}$

### System Features

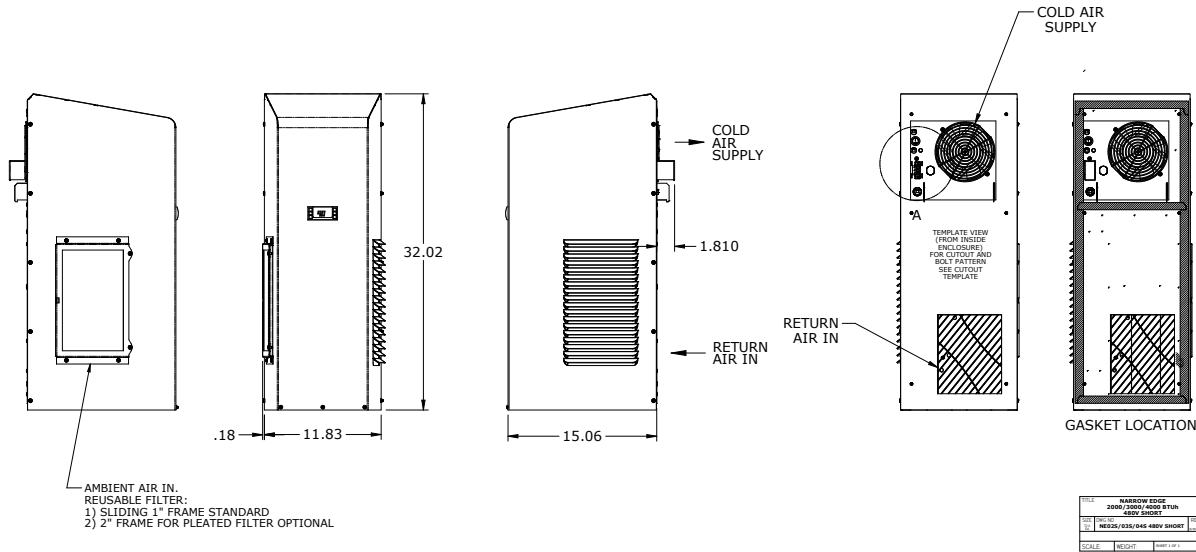
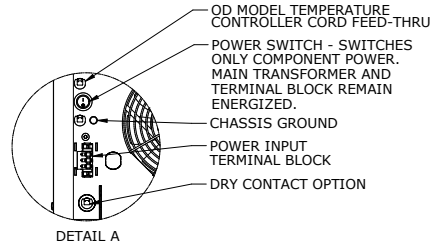
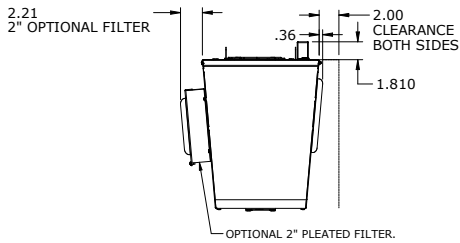
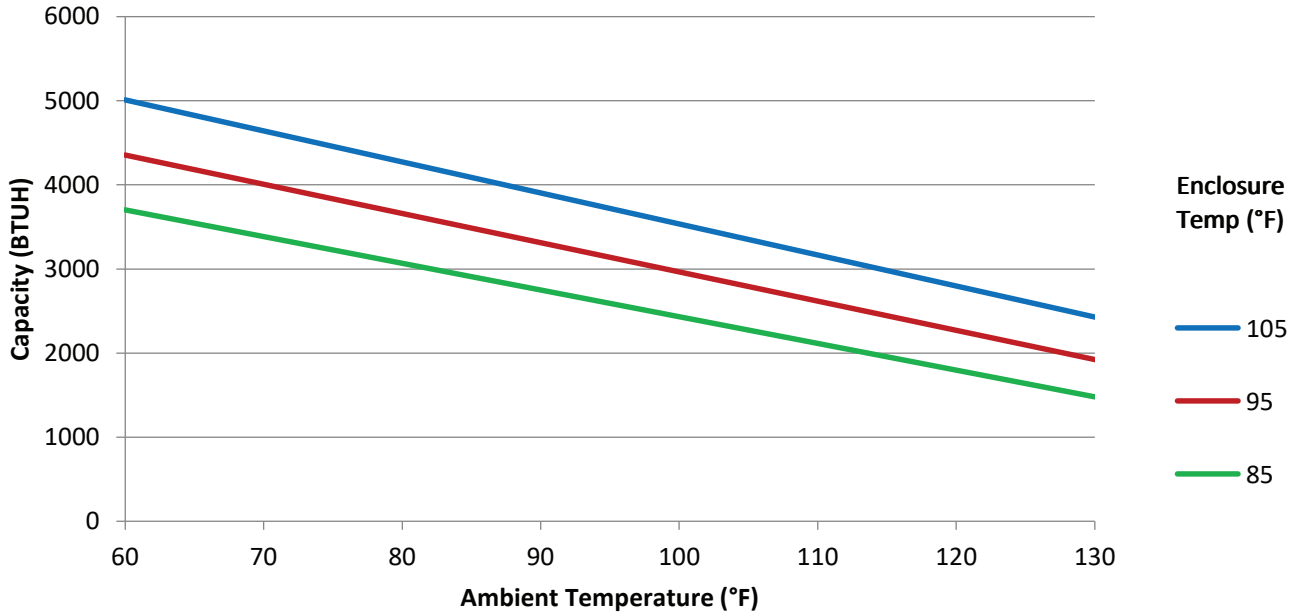
- For purged and non-purged enclosures
- Active, energy efficient, Condensate Evaporation System
- Fully programmable digital controller with built in alarms and alerts
- Remote controller option places controller inside enclosure
- Thermal Expansion Valve for maximum efficiency when temperature or heat load changes
- Hermetically sealed compressor thermal overload protector
- 3000 BTUH
- Narrow body style fits on 12" enclosure
- Available in UL types 12, 4 and 4X

### Unit Efficiency

- Pressure-operated condenser fan reduces power inrush and saves energy
- Highly efficient Rotary Compressor
- Fully insulated & sealed cabinet

Model	UL Type	BTU/Hour	Material	Voltage/Phase/Hz.	Running Amps	Max. Amb. Temp.	H x W x D	Unit Weight (lbs.)
NE03S48612J4	12	3000	Powder coated steel	460/1/60	1.28	140°F	32.02" x 11.83" x 15.06"	103
NE03S48604J4	4	3000	Powder coated steel	460/1/60	1.28	140°F	32.02" x 11.83" x 15.06"	103
NE03S4864XJ4	4X	3000	Stainless steel	460/1/60	1.28	140°F	32.02" x 11.83" x 15.06"	103

Testing done under controlled conditions. Actual performance may vary.



\*Critical components in the NRTL Hazardous Location Listing Report must not be substituted with alternate components. Thermal Edge, Inc. and MET Labs must be notified before changes to any drawings, samples, or required documentation are approved.

ATTENTION: If ordering a replacement for a Thermal Edge air conditioner, please include the part number and serial number of the unit being replaced in your order. This will ensure that we ship a replacement that is compatible with the cutout dimensions and power connection features of the older model. All information subject to change without notice.