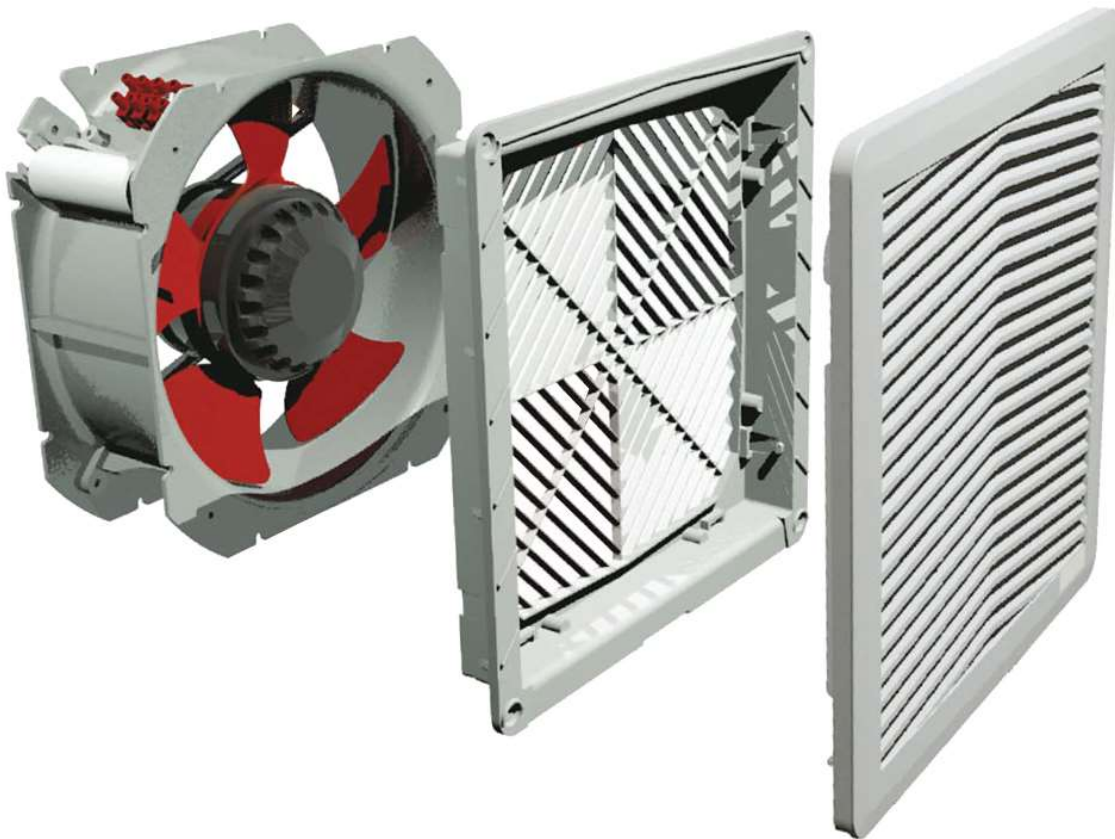




PLASTIC FILTERED FAN INSTALLATION



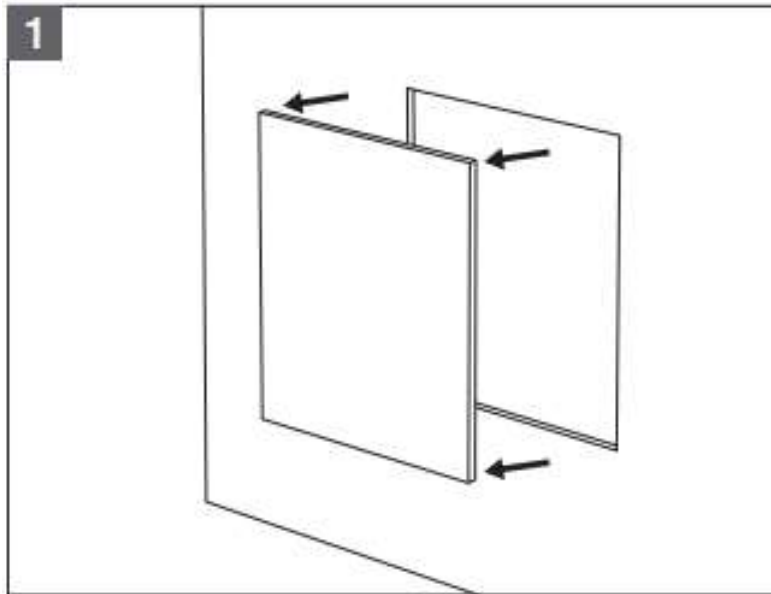
UL TYPE 12 / UL TYPE 3R



Proper Personal Protective Equipment is recommended during the mounting installation of this product.

MOUNTING INSTALLATION

Step 1: Ensure that the Enclosure panel is cut to the size of the water-resistant fan cover base.

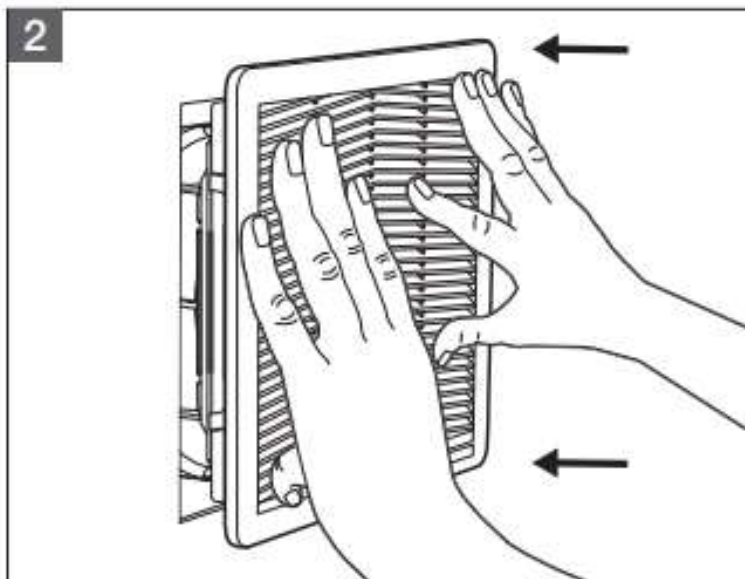




Thermal Edge Inc.

TEMPERATURE CONTROL SOLUTIONS FOR ELECTRICAL ENCLOSURES

Step 2: Press the filtered fan assembly into the enclosure cut-out.
Ensure that the Thermal Edge logo plate is on the bottom right.

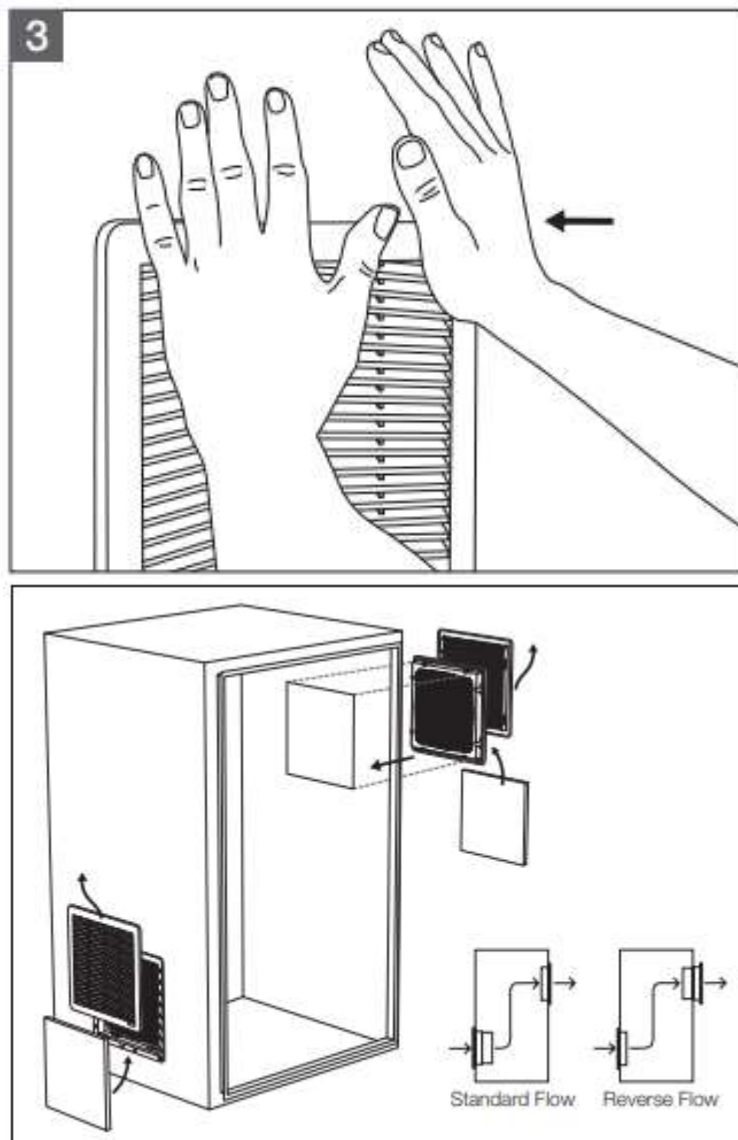




Thermal Edge Inc.

TEMPERATURE CONTROL SOLUTIONS FOR ELECTRICAL ENCLOSURES

Step 3: After the assembly has been pressed into the cut-out, press firmly on each corner to ensure that the filtered fan assembly clips retract to the original position as it holds the Filtered Fan in place. This will complete the mounting installation.

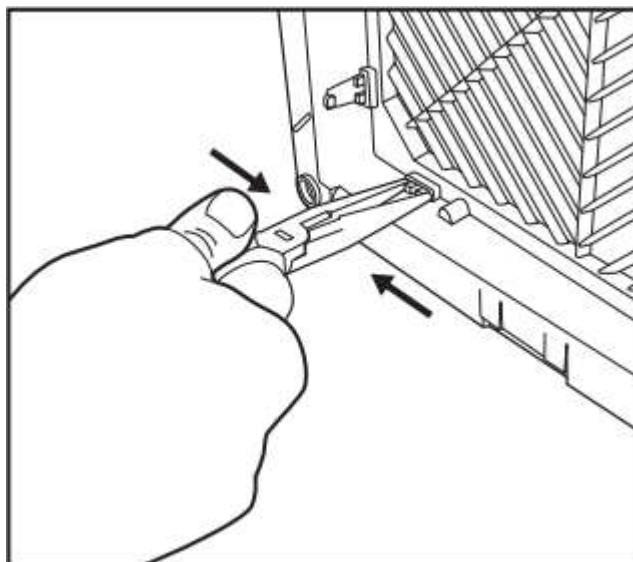




DISMOUNTING

Filter: Using needle nose pliers, apply light pressure to the clips while pushing inwards towards the enclosure. This will release the clips from the base.

Filter Fan: Remove the fan and follow the instructions or the filter dismounting.

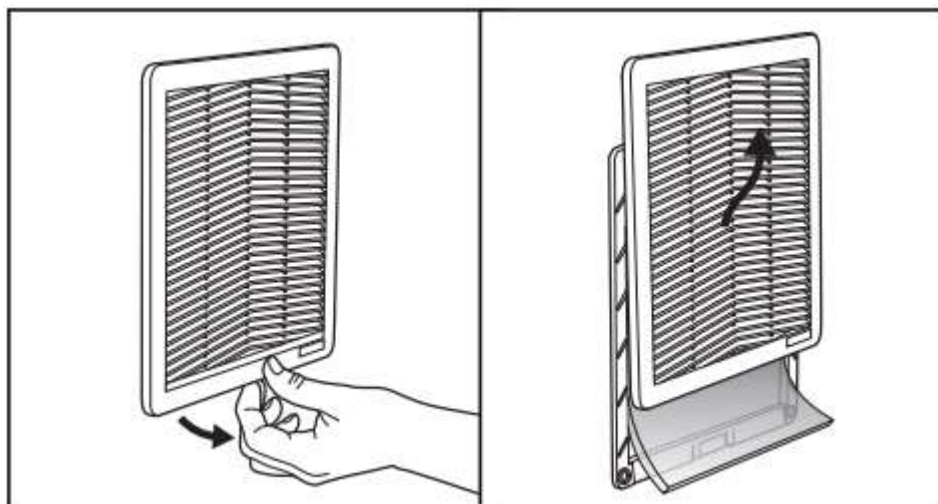




REPLACEMENT AND CLEANING OF FILTER MEDIA

To remove the filter media, slide the cover on the base by raising the bottom tongue and pushing it upwards. Re-insert the cover into the base after cleaning the media. The filter media can be cleaned by rinsing, spraying with water, or beating. The frequency with which the filter media must be replaced depends on the amount of dust accumulated, operating period, and specific working conditions encountered by the user.

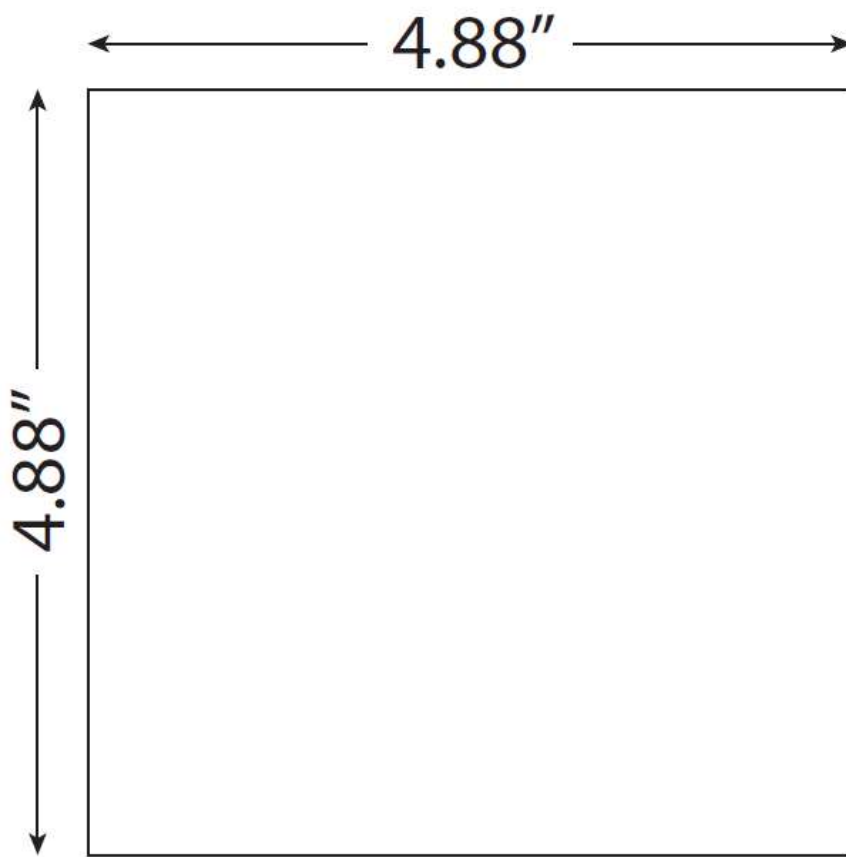
NOTE: An unclean filter media reduces the efficiency of the filter fan causing insufficient or total lack of ventilation.





CUT OUT DIMENSIONS

PFFP085 Filtered Fan Packages

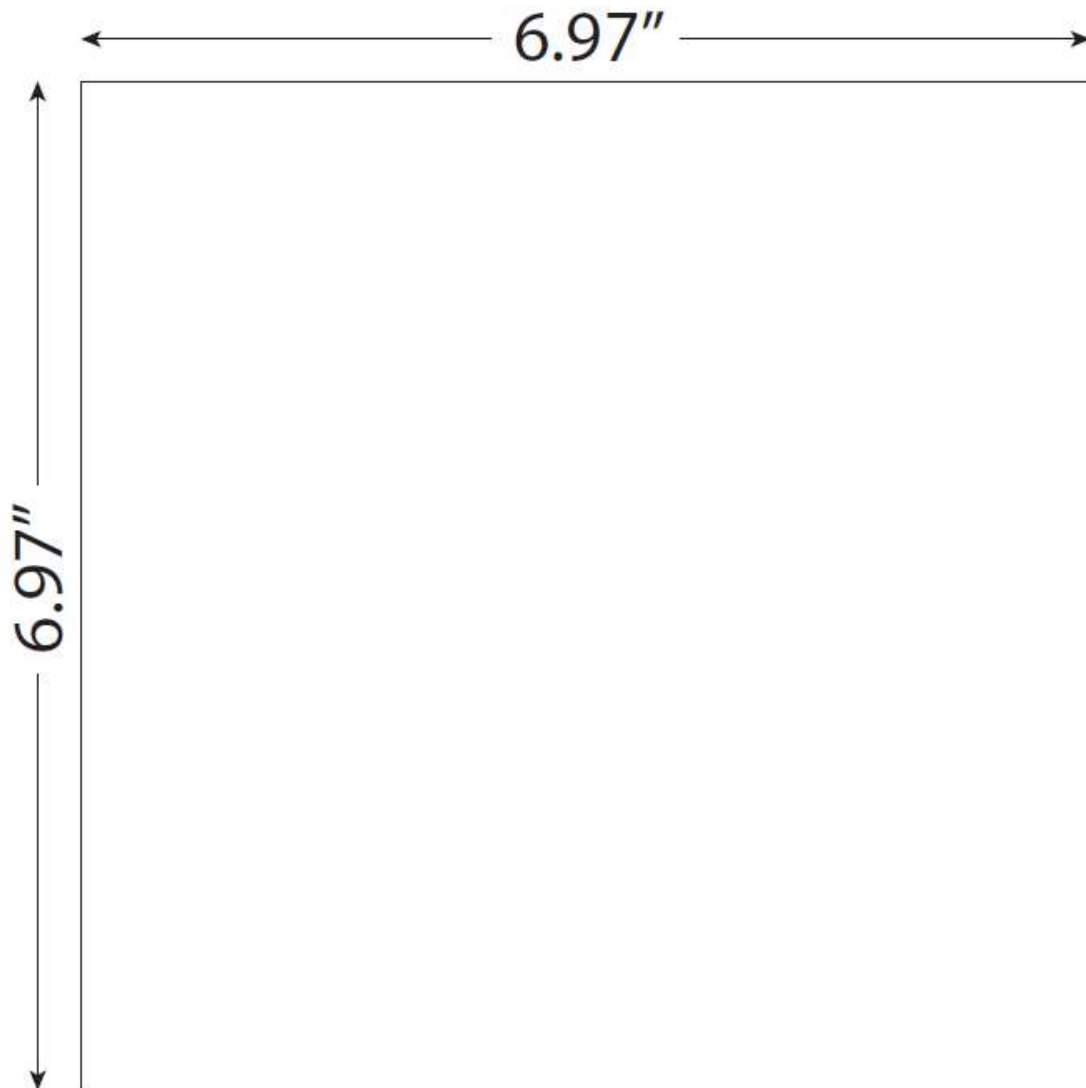


Cutout Dimensions (in)

Note: Dimensions are not to scale.



PFFP150 Filtered Fan Packages

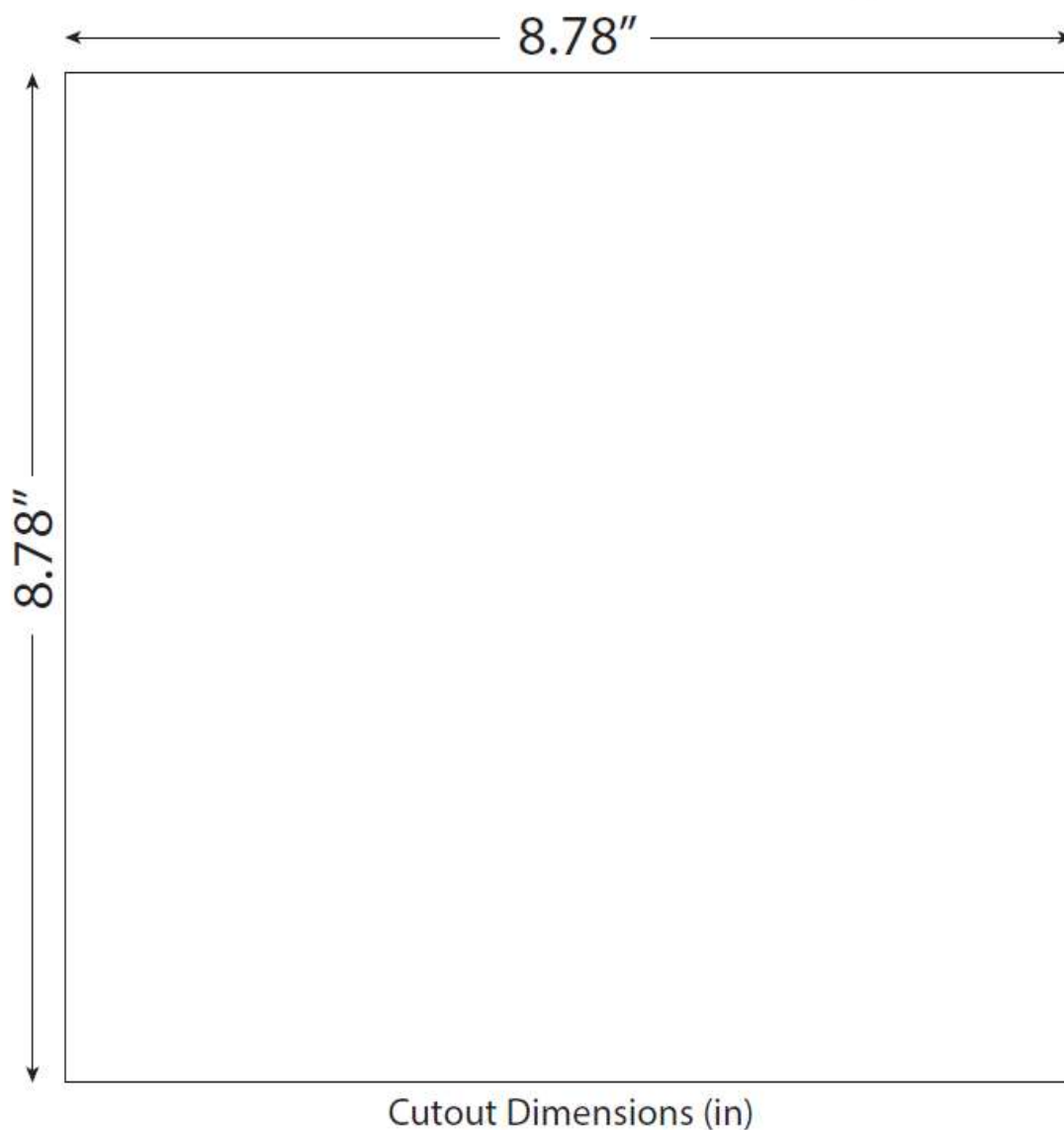


Cutout Dimensions (in)

Note: Dimensions are not to scale.



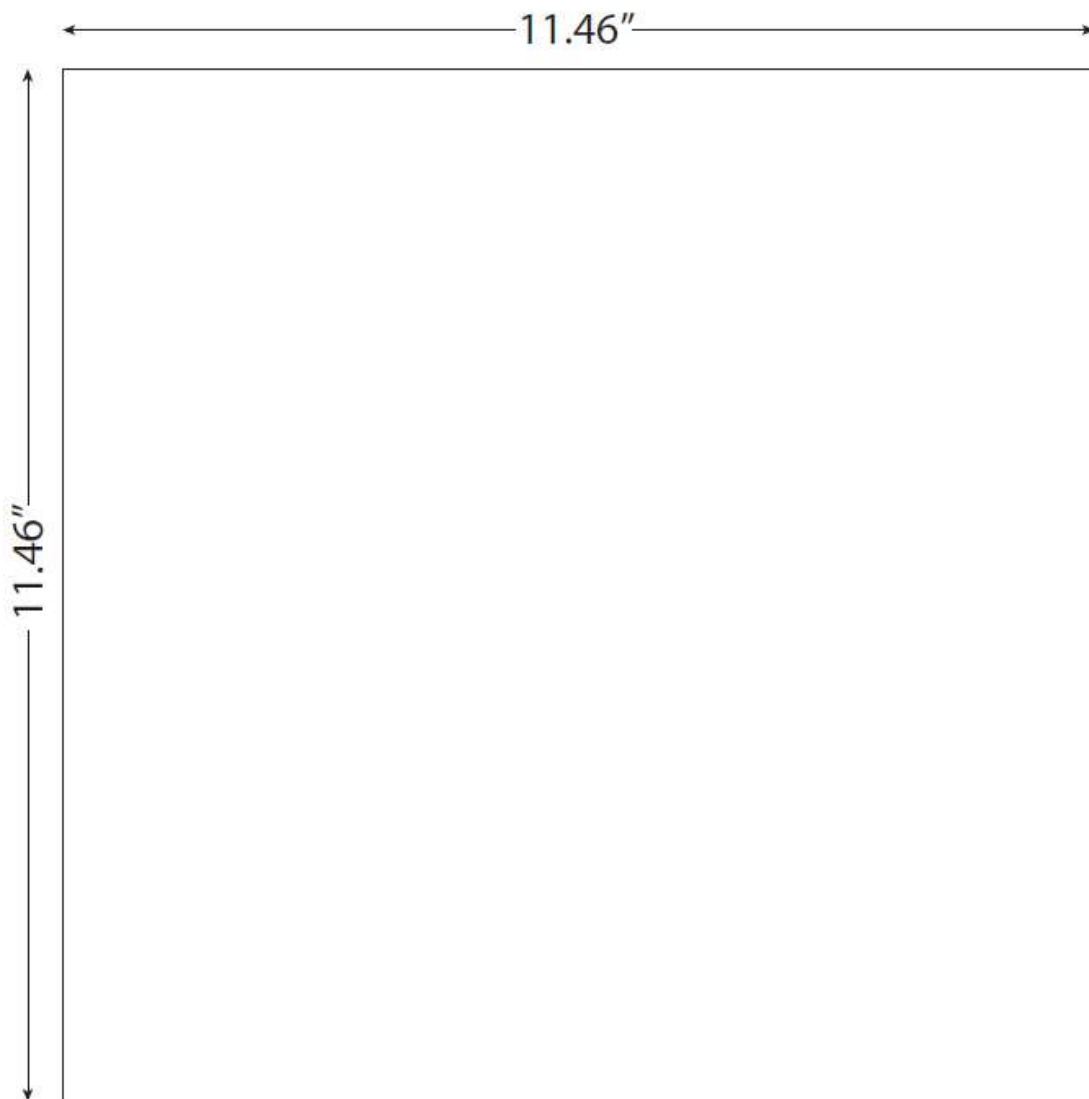
PFFP250 Filtered Fan Packages



Note: Dimensions are not to scale.



PFFP450 Filtered Fan Packages



Cutout Dimensions (in)

Note: Dimensions are not to scale.