



METAL FILTERED FAN PACKAGE INSTALLATION



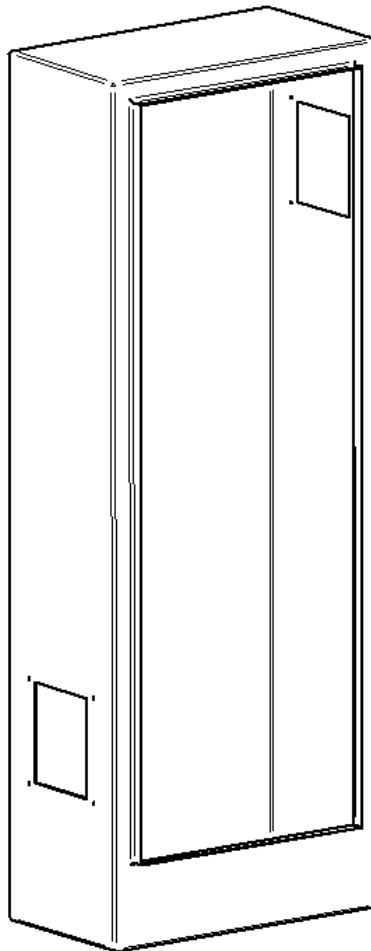
NEMA 1



Proper Personal Protective Equipment is recommended during the mounting installation of this product.

MOUNTING INSTALLATION

Step 1: Using the cut-out template, locate, drill, and cut two cut-outs for the best air circulation.



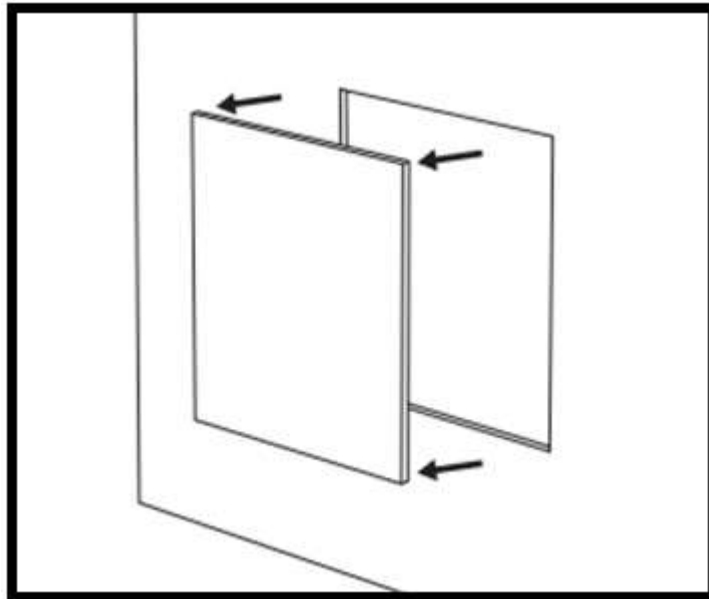
Note: Photos are not to scale.



Thermal Edge Inc.

TEMPERATURE CONTROL SOLUTIONS FOR ELECTRICAL ENCLOSURES

Step 2: Ensure that the Enclosure panel is cut to the size of the provided template. Properly dispose of excess sheet metal.



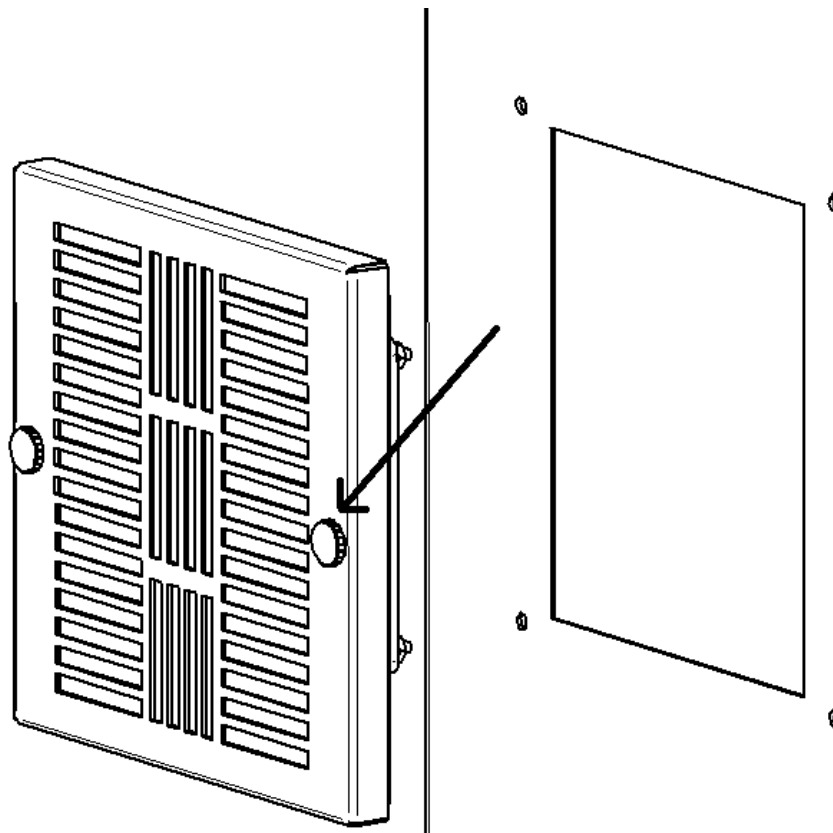
Note: Photos are not to scale.



Thermal Edge Inc.

TEMPERATURE CONTROL SOLUTIONS FOR ELECTRICAL ENCLOSURES

Step 3: Remove the thumb screws, grill cover, and filter.



Note: Photos are not to scale.

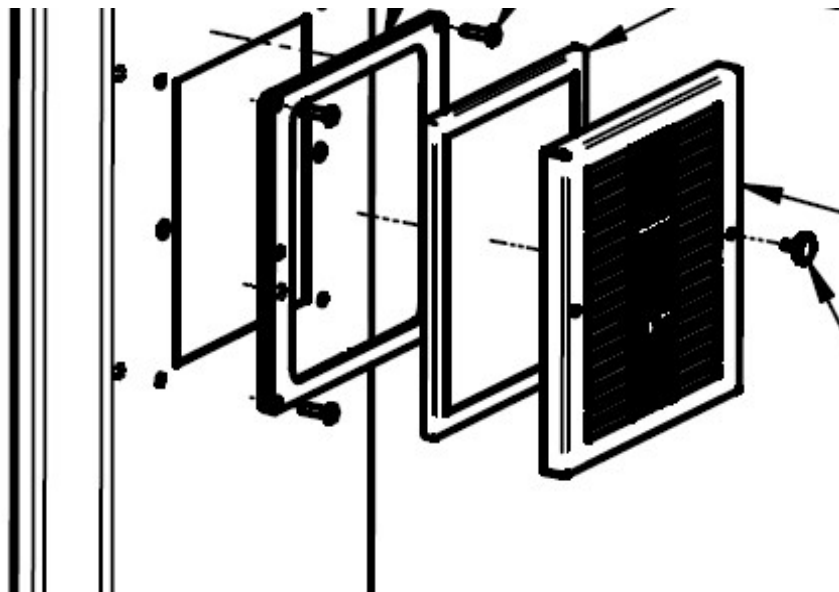


Thermal Edge Inc.

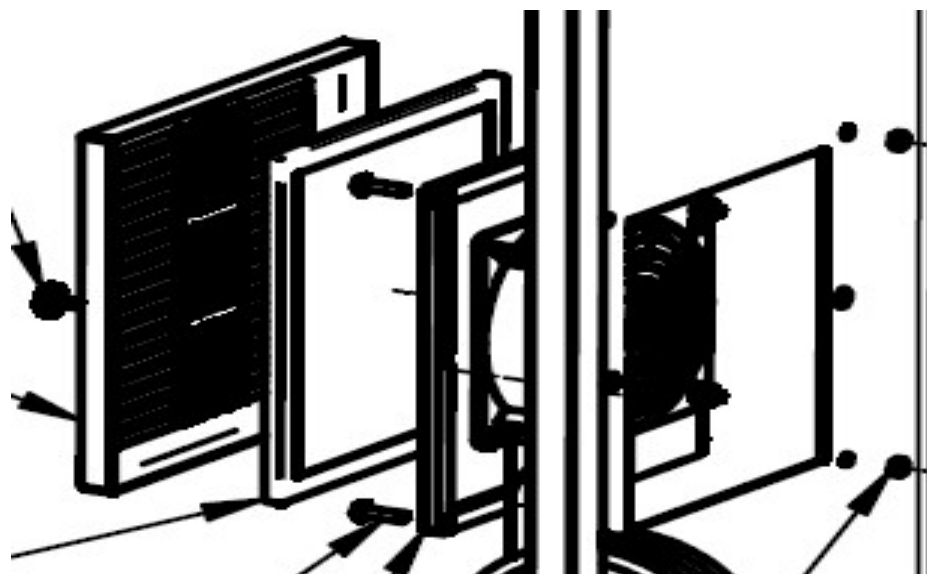
TEMPERATURE CONTROL SOLUTIONS FOR ELECTRICAL ENCLOSURES

STEP 4: Install the fan plate and opposing filter plate with screws, washers and nuts provided; Then re-install the filters, covers and thumb nuts. (Screw head should be on the outside)

Outside panel looking in.



Inside panel looking out.



Note: Photos are not to scale.



Dismount

To dismount the Metal Filter Fan Package, ensure that the fan is unplugged from the power source, remove the grill and filter, unscrew the mounting screws from the Enclosure panel, and safely remove it from the cut-out.

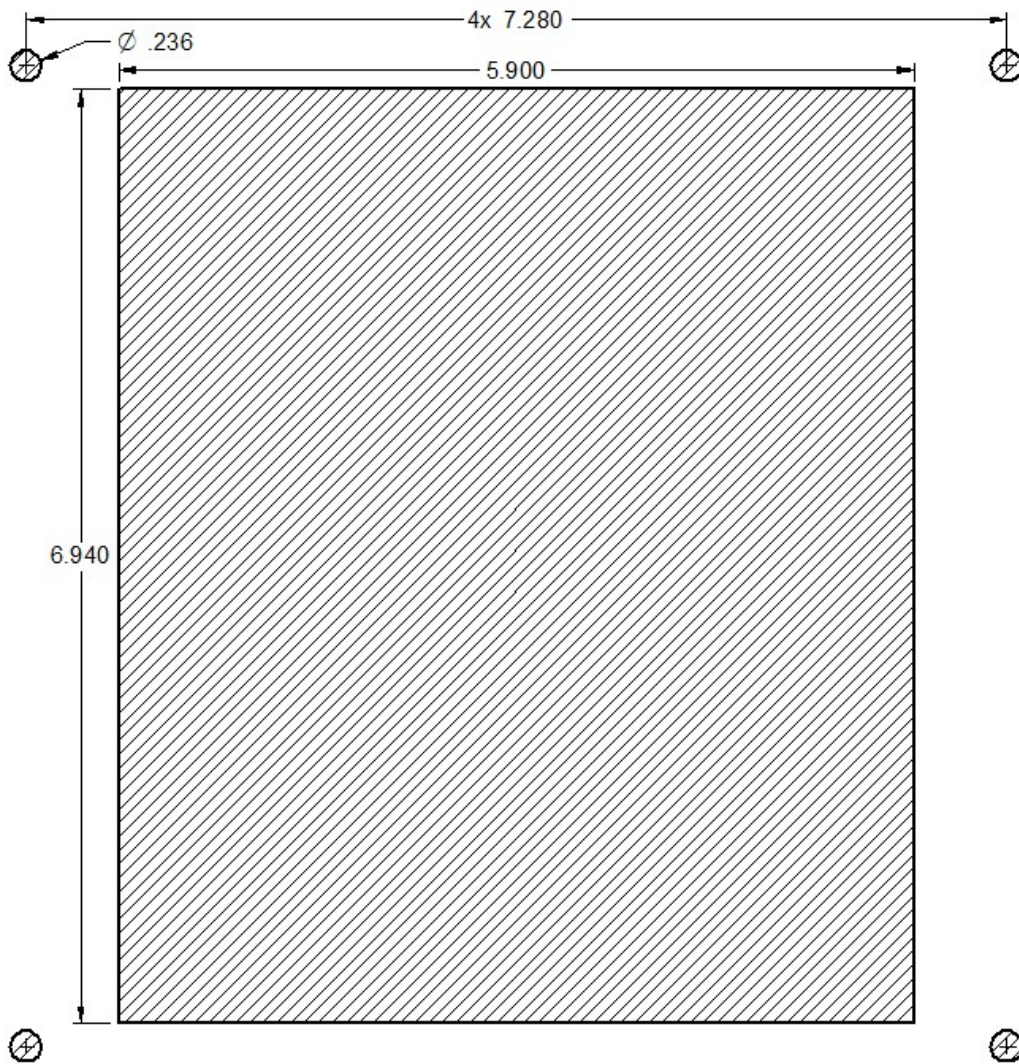
Filter: Unscrew the thumb screws, remove the grill and the filter. The filter media can be cleaned by rinsing, spraying with water, or beating. The frequency with which the filter media must be replaced depends on the amount of dust accumulated, operating period, and specific working conditions encountered by the user.

NOTE: An unclean filter media reduces the efficiency of the filter fan causing insufficient or total lack of ventilation.



CUT OUT DIMENSIONS

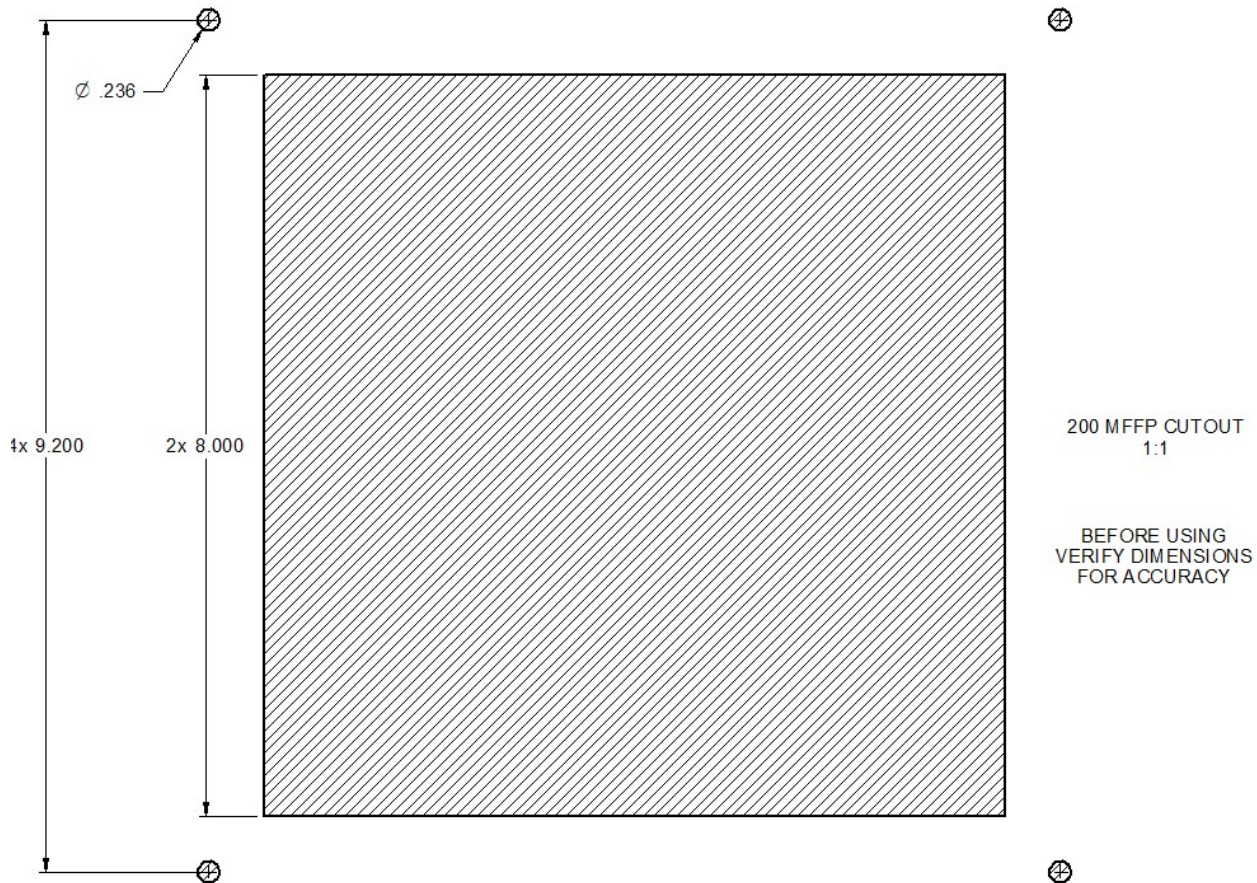
100 MFFP, Size A



Note: Dimensions are not to scale.



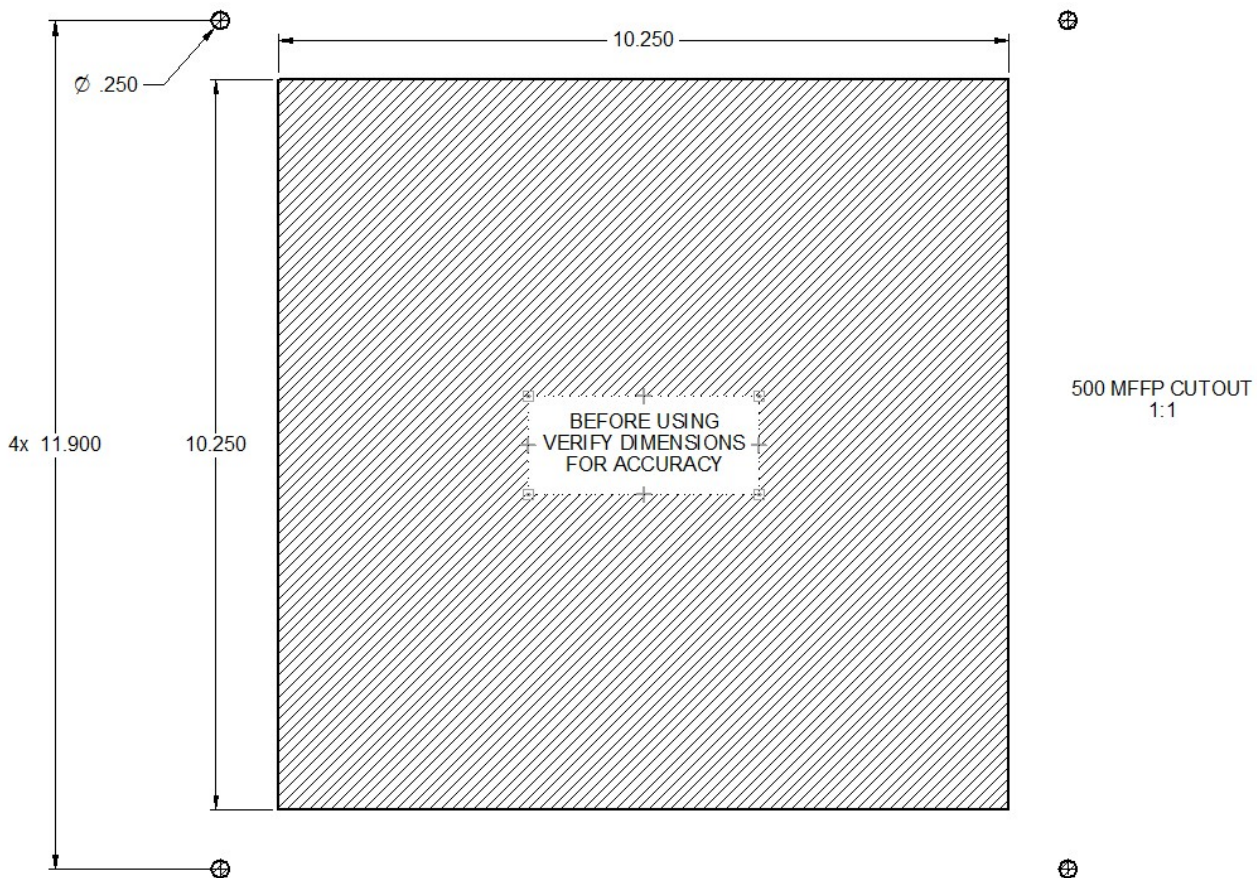
200 MFFP, Size B



Note: Dimensions are not to scale.



500 MFFP, Size C



Note: Dimensions are not to scale.