

**4000 BTUH 48 VOLT DC POWERED AIR CONDITIONER  
INDOOR/OUTDOOR, UL TYPES 12, 4 & 4X AVAILABLE**

Engineered & manufactured to endure the most difficult of environments and applications. Thermal Edge air conditioners will exceed environmental requirements in applications like Telecom Outside Plant, Off-Grid Solar, Wind & other Battery Powered Electrical Cabinets.



**OPTIONS:**

- High Ambient
- Remote Controller
- Corrosion Protection
- Dry Contact
- Redundant System
- Filter/Filter Frame
- Controller Programming
- Open Door Kill Switch
- Custom Finish
- Extended Temperature Probe
- Remote Control/Monitor
- Vibration Resistant
- Diagnostics

**Digital Temperature Controller**

- Programmable set point and temperature controls
- Visible Error and/or alarm messaging
- System status indication & keypad lockout function

**Active Condensate Evaporation System**

- Constant elimination of condensate
- Increases unit efficiency by pre-cooling refrigerant

**Key Design Features**

- Sloped top to allow for water runoff
- Designed with rigid chassis and seam welded shroud
- Thoughtful interior design for easy maintenance
- Narrow body style fits on 12" enclosure

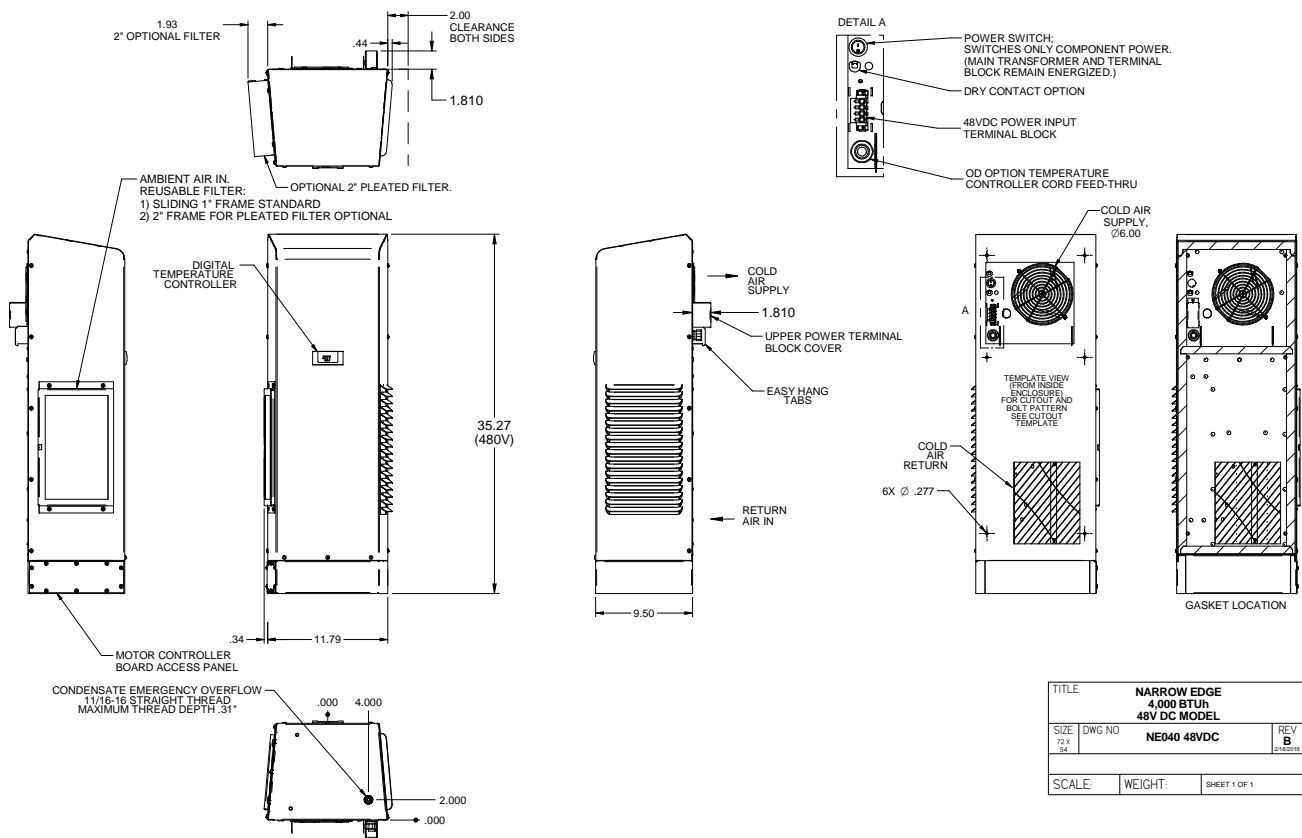
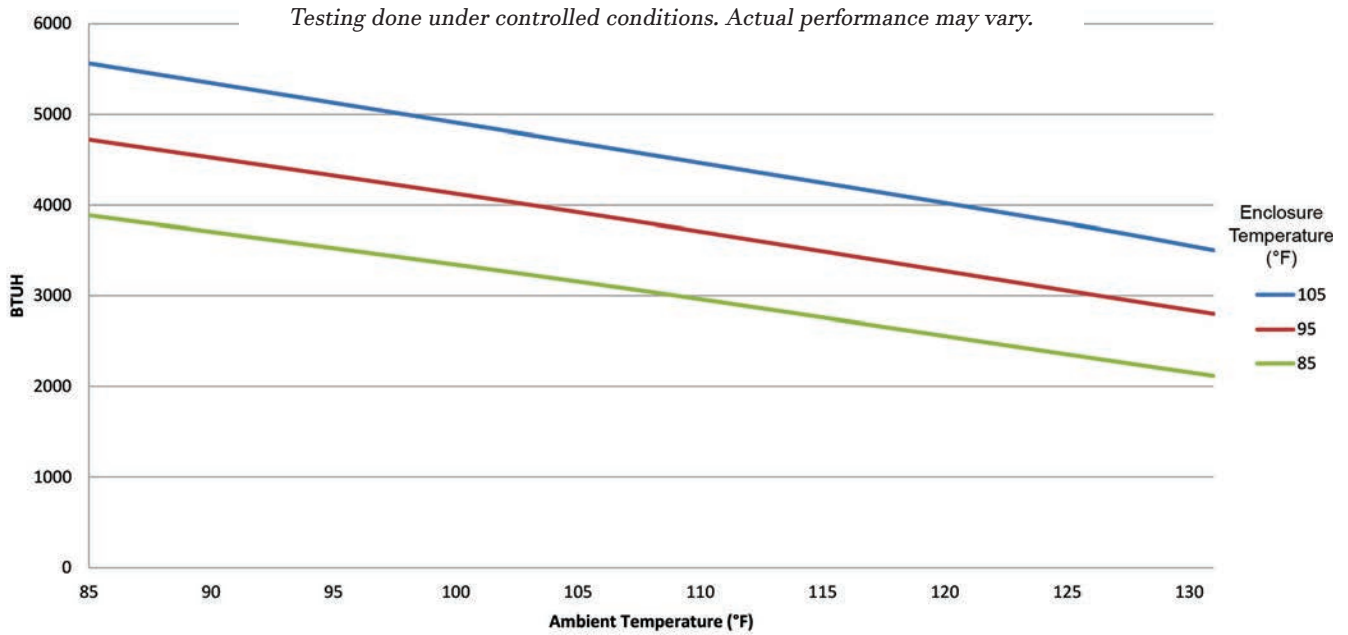
**Unit Efficiency**

- Temperature operated condenser fan reduces power inrush and saves energy
- Highly efficient rotary compressor
- Fully insulated & sealed cabinet
- Thermal Expansion Valve to maintain cooling capacity over a broad ambient temperature range

**Compressor Protection System**

- High & Low refrigerant cutouts with fault indication
- Compressor anti short cycle protection
- Thermal overload protector
- Compressor run capacitors reduce power inrush, save energy and increase compressor life

Model	UL Type	BTU/Hour	Material	Voltage	Running Amps	Max. Amb. Temp.	H x W x D	Unit Weight (lbs.)
NE040D4812	12	4000	Powder coated steel	48 VDC	25.3	131°F	35.27" x 11.8" x 9.5"	103
NE040D4804	4	4000	Powder coated steel	48 VDC	25.3	131°F	35.27" x 11.8" x 9.5"	103
NE040D484X	4X	4000	Stainless steel	48 VDC	25.3	131°F	35.27" x 11.8" x 9.5"	103
NE040D484XL6	4X	4000	Mill finish aluminum	48 VDC	25.3	131°F	35.27" x 11.8" x 9.5"	93



**ATTENTION:** If ordering a replacement for a Thermal Edge air conditioner, please include the part number and serial number of the unit being replaced in your order. This will ensure that we ship a replacement that is compatible with the cutout dimensions and power connection features of the older model. All information subject to change without notice.

