

3000 BTUH | INDOOR/OUTDOOR, UL TYPES 12, 4 & 4X AVAILABLE

Engineered & manufactured to endure the most difficult of environments and applications. Thermal Edge air conditioners will exceed environmental requirements in applications like Steel, Food Processing, Petro-Chemical, Cement, Paper & Pulp and Plastics.



OPTIONS:

- Low/High Ambient
- Remote Controller
- Corrosion Protection
- Dry Contact
- Redundant System
- Filter/Filter Frame
- Controller Programming
- Heater
- Hazardous Location
- Open Door Kill Switch
- Custom Finish
- Extended Temperature Probe
- Remote Control/Monitor
- Vibration Resistant

Digital Temperature Controller

- Programmable set point and temperature controls
- Visible Error and/or alarm messaging
- System status indication & keypad lockout function

Active Condensate Evaporation System

- Constant elimination of condensate
- Increases unit efficiency by pre-cooling refrigerant

Key Design Features

- Sloped top to allow for water runoff
- Designed with rigid chassis and seam welded shroud
- Thoughtful interior design for easy maintenance
- Narrow body style fits on 12" enclosure

Unit Efficiency

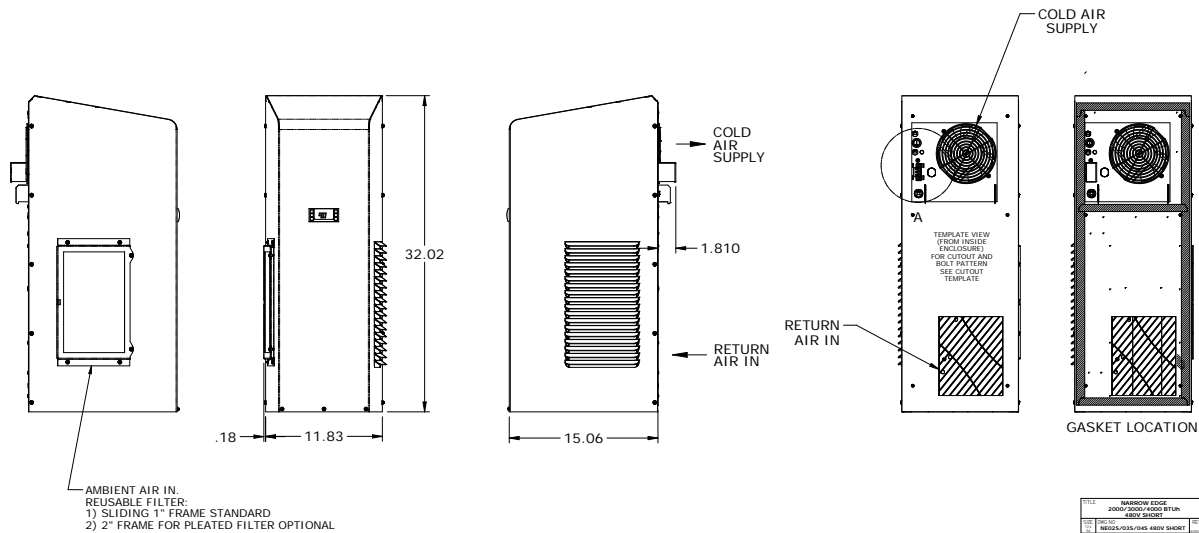
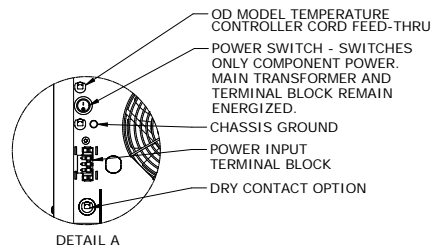
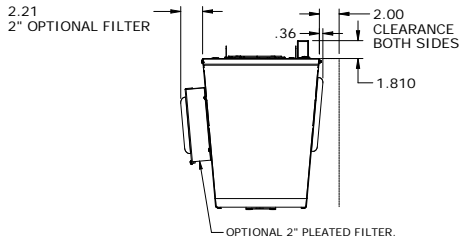
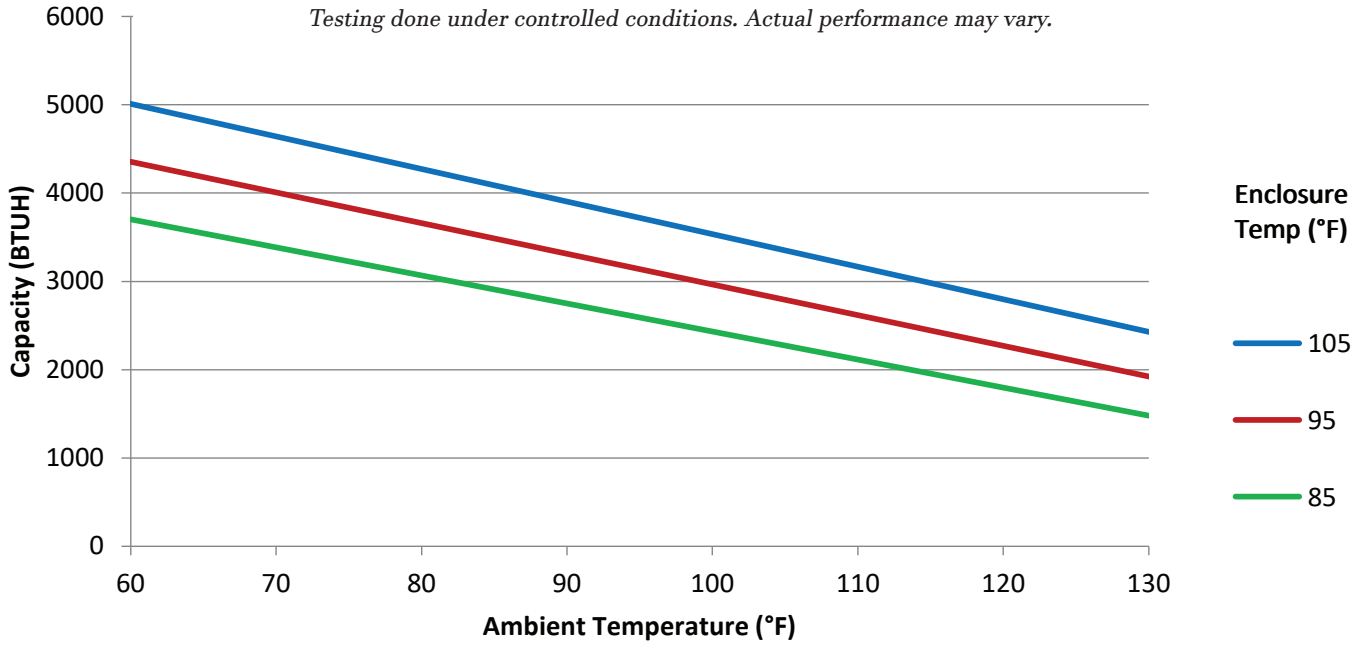
- Temperature operated condenser fan reduces power inrush and saves energy
- Highly efficient rotary compressor
- Fully insulated & sealed cabinet
- Thermal Expansion Valve to maintain cooling capacity over a broad ambient temperature range

Compressor Protection System

- High & Low refrigerant cutouts with fault indication
- Compressor anti short cycle protection
- Thermal overload protector
- Compressor run capacitors reduce power inrush, save energy and increase compressor life

Model	UL Type	BTU/Hour	Material	Voltage/Phase/Hz.	Running Amps	Max. Amb. Temp.	H x W x D	Unit Weight (lbs.)
NE03S48612	12	3000	Powder coated steel	460/1/60	1.28	140°F	32.02" x 11.83" x 15.06"	103
NE03S48604	4	3000	Powder coated steel	460/1/60	1.28	140°F	32.02" x 11.83" x 15.06"	103
NE03S4864X	4X	3000	Stainless steel	460/1/60	1.28	140°F	32.02" x 11.83" x 15.06"	103
NE03S486XL5	4X	3000	Mill finish aluminum	460/1/60	1.28	140°F	32.02" x 11.83" x 15.06"	93

Testing done under controlled conditions. Actual performance may vary.



ATTENTION: If ordering a replacement for a Thermal Edge air conditioner, please include the part number and serial number of the unit being replaced in your order. This will ensure that we ship a replacement that is compatible with the cutout dimensions and power connection features of the older model. All information subject to change without notice.