

2000 BTUH | INDOOR/OUTDOOR, UL TYPES 12, 4 & 4X AVAILABLE

Engineered & manufactured to endure the most difficult of environments and applications. Thermal Edge air conditioners will exceed environmental requirements in applications like Steel, Food Processing, Petro-Chemical, Cement, Paper & Pulp and Plastics.



Digital Temperature Controller

- Programmable set point and temperature controls
- Visible Error and/or alarm messaging
- System status indication & keypad lockout function

Active Condensate Evaporation System

- Constant elimination of condensate
- Increases unit efficiency by pre-cooling refrigerant

Key Design Features

- Sloped top to allow for water runoff
- Designed with rigid chassis and seam welded shroud
- Thoughtful interior design for easy maintenance
- Narrow body style fits on 12" enclosure

Unit Efficiency

- Temperature operated condenser fan reduces power inrush and saves energy
- Highly efficient rotary compressor
- Fully insulated & sealed cabinet
- Thermal Expansion Valve to maintain cooling capacity over a broad ambient temperature range

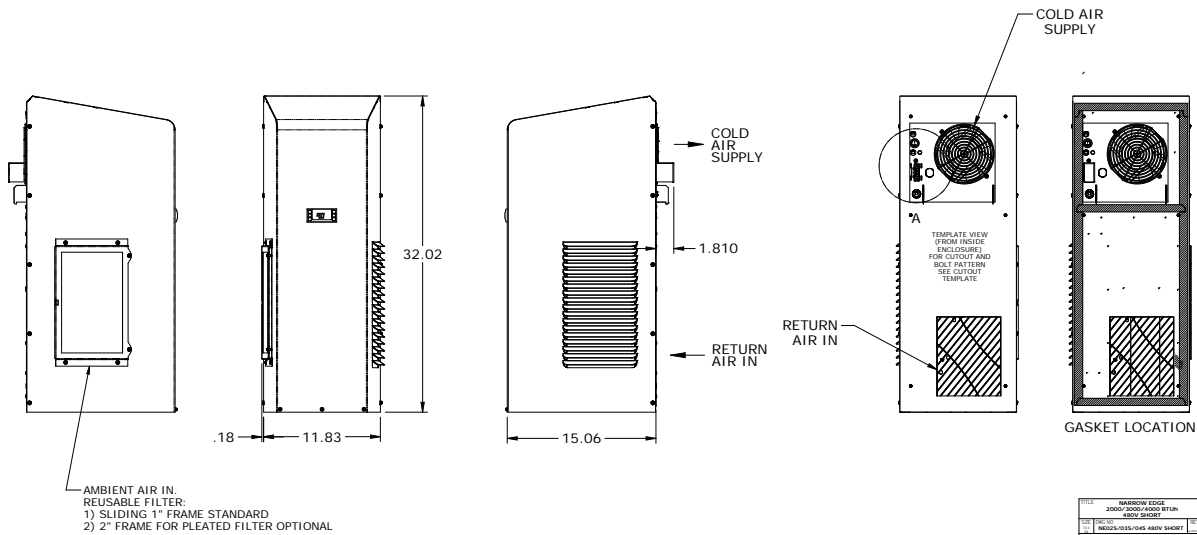
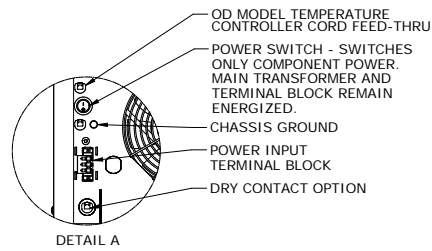
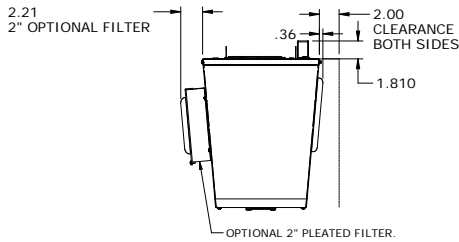
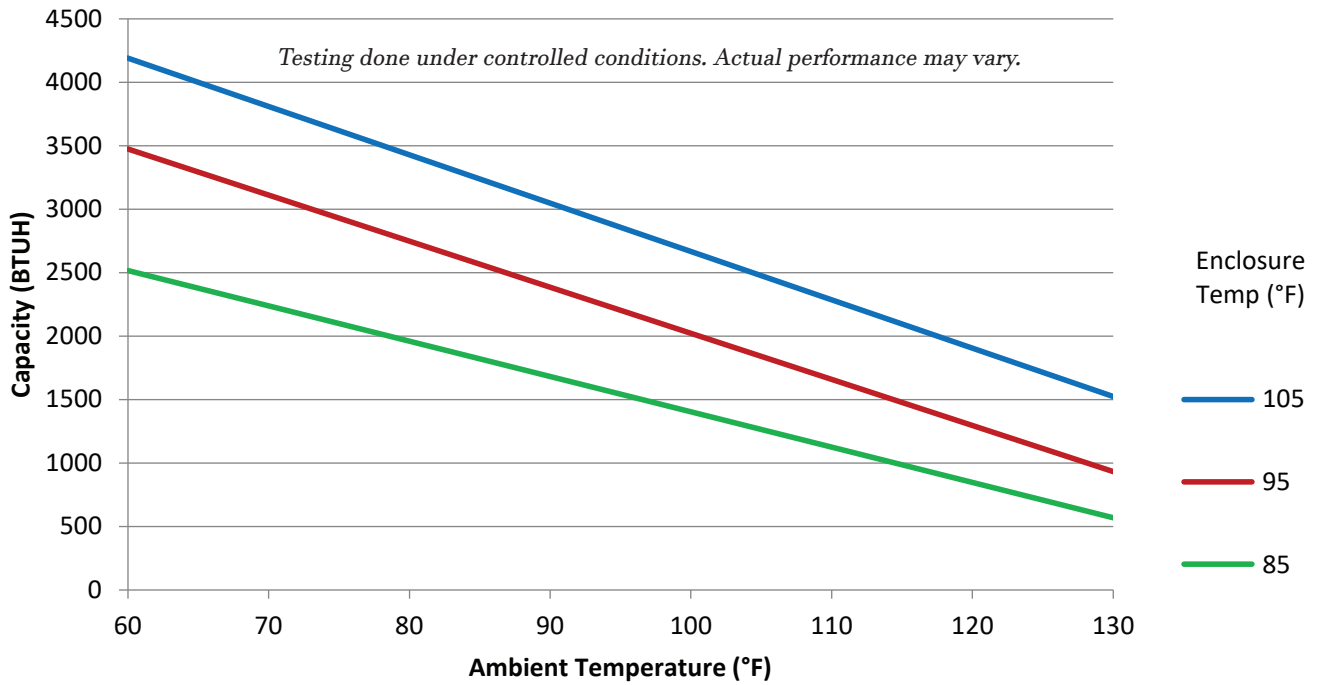
Compressor Protection System

- High & Low refrigerant cutouts with fault indication
- Compressor anti short cycle protection
- Thermal overload protector
- Compressor run capacitors reduce power inrush, save energy and increase compressor life

OPTIONS:

- Low/High Ambient
- Remote Controller
- Corrosion Protection
- Dry Contact
- Redundant System
- Filter/Filter Frame
- Controller Programming
- Heater
- Hazardous Location
- Open Door Kill Switch
- Custom Finish
- Extended Temperature Probe
- Remote Control/Monitor
- Vibration Resistant

Model	UL Type	BTU/Hour	Material	Voltage/Phase/Hz.	Running Amps	Max. Amb. Temp.	H x W x D	Unit Weight (lbs.)
NE02S48612	12	2000	Powder coated steel	460/1/60	0.87	134°F	32.02" x 11.83" x 15.06"	94
NE02S48604	4	2000	Powder coated steel	460/1/60	0.87	134°F	32.02" x 11.83" x 15.06"	94
NE02S4864X	4X	2000	Stainless steel	460/1/60	0.87	134°F	32.02" x 11.83" x 15.06"	94
NE02S4864XL5	4X	2000	Mill finish aluminum	460/1/60	0.87	134°F	32.02" x 11.83" x 15.06"	84



REV	DESCRIPTION	DATE
001	ISSUED	08/20/2018
002	REVISED	08/20/2018
003	REVISED	08/20/2018
004	REVISED	08/20/2018
005	REVISED	08/20/2018
006	REVISED	08/20/2018
007	REVISED	08/20/2018
008	REVISED	08/20/2018
009	REVISED	08/20/2018
010	REVISED	08/20/2018
011	REVISED	08/20/2018
012	REVISED	08/20/2018
013	REVISED	08/20/2018
014	REVISED	08/20/2018
015	REVISED	08/20/2018
016	REVISED	08/20/2018
017	REVISED	08/20/2018
018	REVISED	08/20/2018
019	REVISED	08/20/2018
020	REVISED	08/20/2018
021	REVISED	08/20/2018
022	REVISED	08/20/2018
023	REVISED	08/20/2018
024	REVISED	08/20/2018
025	REVISED	08/20/2018
026	REVISED	08/20/2018
027	REVISED	08/20/2018
028	REVISED	08/20/2018
029	REVISED	08/20/2018
030	REVISED	08/20/2018
031	REVISED	08/20/2018
032	REVISED	08/20/2018
033	REVISED	08/20/2018
034	REVISED	08/20/2018
035	REVISED	08/20/2018
036	REVISED	08/20/2018
037	REVISED	08/20/2018
038	REVISED	08/20/2018
039	REVISED	08/20/2018
040	REVISED	08/20/2018
041	REVISED	08/20/2018
042	REVISED	08/20/2018
043	REVISED	08/20/2018
044	REVISED	08/20/2018
045	REVISED	08/20/2018
046	REVISED	08/20/2018
047	REVISED	08/20/2018
048	REVISED	08/20/2018
049	REVISED	08/20/2018
050	REVISED	08/20/2018
051	REVISED	08/20/2018
052	REVISED	08/20/2018
053	REVISED	08/20/2018
054	REVISED	08/20/2018
055	REVISED	08/20/2018
056	REVISED	08/20/2018
057	REVISED	08/20/2018
058	REVISED	08/20/2018
059	REVISED	08/20/2018
060	REVISED	08/20/2018
061	REVISED	08/20/2018
062	REVISED	08/20/2018
063	REVISED	08/20/2018
064	REVISED	08/20/2018
065	REVISED	08/20/2018
066	REVISED	08/20/2018
067	REVISED	08/20/2018
068	REVISED	08/20/2018
069	REVISED	08/20/2018
070	REVISED	08/20/2018
071	REVISED	08/20/2018
072	REVISED	08/20/2018
073	REVISED	08/20/2018
074	REVISED	08/20/2018
075	REVISED	08/20/2018
076	REVISED	08/20/2018
077	REVISED	08/20/2018
078	REVISED	08/20/2018
079	REVISED	08/20/2018
080	REVISED	08/20/2018
081	REVISED	08/20/2018
082	REVISED	08/20/2018
083	REVISED	08/20/2018
084	REVISED	08/20/2018
085	REVISED	08/20/2018
086	REVISED	08/20/2018
087	REVISED	08/20/2018
088	REVISED	08/20/2018
089	REVISED	08/20/2018
090	REVISED	08/20/2018
091	REVISED	08/20/2018
092	REVISED	08/20/2018
093	REVISED	08/20/2018
094	REVISED	08/20/2018
095	REVISED	08/20/2018
096	REVISED	08/20/2018
097	REVISED	08/20/2018
098	REVISED	08/20/2018
099	REVISED	08/20/2018
100	REVISED	08/20/2018



ATTENTION: If ordering a replacement for a Thermal Edge air conditioner, please include the part number and serial number of the unit being replaced in your order. This will ensure that we ship a replacement that is compatible with the cutout dimensions and power connection features of the older model. All information subject to change without notice.