

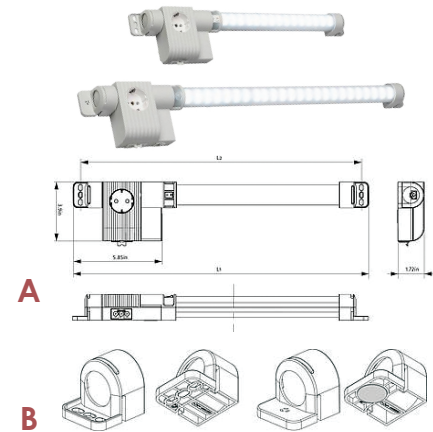


LED 121 | LED 122

ENCLOSURE LIGHTS | LAMP WITH SOCKET

The LED 121/122 Varioline is a powerful and compact LED light with integrated receptacle for use in enclosures. Featuring socket standards of many European countries as well as the US and Australia, it allows for the power connection of laptops and diagnostic devices. Its LED tube emits more than 1,000/1,700 Lm thereby illuminating even very large enclosures in their full depth and height. The glare-free, 120° rotatable light tube uses Mid-power LEDs with a service life of 60,000 hcolor of 6,500 K provides safety for the user by a natural and non-fading color reproduction.

Power Consumption	max. 10 W / 15 W
Operating Voltage	AC 220 - 240 V, 50/60 Hz (min. AC 200 V, max. AC 265 V) AC 120 V, 50/60 Hz (min. AC 110 V, max. AC 130 V)
Luminous Flux	1,080 Lm/1,730 Lm
Lamp Type	LED, angle of radiation 120°, light color: daylight, color temperature: 6.500 K
Service Life	60,000 h at +20 °C (+68 °F)
Connection	3-pole connector with snap lock, AC: max. 16 A / AC 240 V, color: white
Mounting*	magnets or M5 screws (not included), torque 2 Nm max.
Housing	plastic, translucent
Dimensions	see drawings
Weight	approx. 10.6 oz./14.1 oz. (300 g/ 400 g)
Operating/Storage Temperature	-40 to +104 °F / -40 to +185 °F
Operating/Storage Humidity	max. 90 % RH (non-condensing)
Protection Type/Class	IP20 / II (double insulated)
Approvals	UL File No. E234324 / EAC



Dimentioned Drawings.

A) LED 121 (Size 1): L1 = 19.7 in, L2 = 18.7 in

LED 122 (Size 2): L1 = 27.6 in, L2 = 26.6 in

B) View of magnet and screw fixing

- High luminous flux
- Integrated receptacle
- Durable and maintenance-free LED technology
- Integrated power unit
- Daisy chain
- On/off switch, movement sensor or connection for external door switch

*Mounting options: The lamps are available with magnet fixing for easy positioning in any steel cabinet or enclosure. A classic is the LED 121/122 with M5 screws (not included). With a total rotation angle of 120° it provides perfect illumination. Note: The lamp must not be used for household lighting.



Size 1 L1 = 19.7" (500 mm) Magnet Fixing	Size 1 L1 = 19.7" (500 mm) Screw Fixing	Size 2 L1 = 27.6" (700 mm) Magnet Fixing	Size 2 L1 = 27.6" (700 mm) Screw Fixing	Operating Voltage	Nominal Current Of Socket
LED 121/122 on/off switch					
12104.0-30	12104.0-00	12204.0-30	12204.0-00	AC 120 V, 50/60 Hz	15.0 A
LED 121/122 PIR Motion Sensor (features approx. 5 min fixed switch-on duration)					
12114.0-30	12114.0-00	12214.0-30	12214.0-00	AC 120 V, 50/60 Hz	15.0 A
LED 121/122 with connection for external door switch					
12124.0-30	12124.0-00	12224.0-30	12224.0-00	AC 120 V, 50/60 Hz	15.0 A
LED 121/122 without switching option					
12134.0-30	12134.0-00	12234.0-30	12234.0-00	AC 120 V, 50/60 Hz	15.0 A