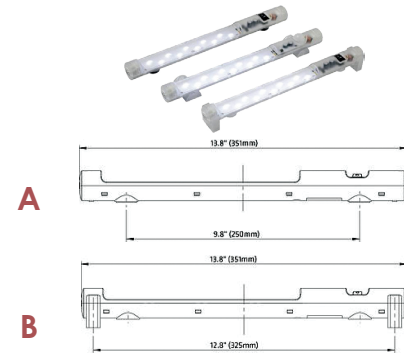


LED 025

ENCLOSURE LIGHTS

The LED 025 light series is suitable for all types of panels and enclosures, especially where space is at a premium. These lights have a very long service life due to the use of LED technology. They are available with powerful non-slip rubberized magnets allowing them to be easily positioned in any steel enclosure. Screw and clip mounting are also available as options. The power output allows up to 10 lights to be connected to each other (daisy chain) with both the input and output plugs snap-locking into place.

Power Consumption	max. 11 W / 16 W
Luminosity	400 Lm at 120° (1,200 Lm at 360° or equiv. 95W light bulb)
Lamp Type	LED, 120° angle of radiation light color - daylight, color temperature - 6,000 to 7,000 K
Service Life	60,000 hrs. at 68 °F (20 °C)
Connection	2-pole plug with snap lock AC: max. 2.5 A / AC 240 V, white connector DC: max. 2.5 A / DC 60 V, blue connector
Mounting	magnet, M5 screws (not included), or clip (M6 screws) torque 2 Nm max.
Housing	plastic, translucent
Dimensions	see drawings
Operating/Storage Temperature	-40 to +104 °F / -40 to +185 °F
Operating/Storage Humidity	max. 90 % RH (non-condensing)
Protection Type/Class	IP20 / II (double insulated)
Approvals	UL File No. E164102 / EAC



Dimensioned Drawings.

A) On/off switch light w/magnet or screw mount.

B) On/off switch light w/clip mount.

- Energy saving LED technology
- Wide voltage range
- Integrated power unit
- Magnet, screw or clip mount
- Wide variety of connections
- On/off switch or motion sensor

Mounting options: The lights are available with magnet mount for easy positioning in any steel cabinet or enclosure. Other options are the LED 025 with screw mount, and specifically designed clip holders for clip mount of the LED 025. These can be positioned anywhere in the cabinet by simply screwing the holders to the cabinet wall. The light is snapped into the clip holders and can be turned in both directions. With a total rotation angle of 180° it provides perfect illumination within the cabinet or enclosure. NOTE: The lights are not approved for household lighting.



Part No. Magnet Mount	Part No. Screw Mount	Part No. Clip Mount	Operating Voltage	Switch Type	Weight
Light Kits With Input Connector Included					
02540.0-00-0003	02540.0-01-0003	02540.0-03-0003	AC 100-240 V, 50/60 Hz (min. AC 90 V, max. AC 265 V)	on/off switch	4.8 oz.
02540.1-00-0003	02540.1-01-0003	02540.1-03-0003	DC 24-48 V (min. DC 20 V, max. DC 60 V)	on/off switch	4.8 oz.
02541.0-00-0003	02541.0-01-0003	02541.0-03-0003	AC 100-240 V, 50/60 Hz (min. AC 90 V, max. AC 265 V)	PIR motion sensor*	5.0 oz.
02541.1-00-0003	02541.1-01-0003	02541.1-03-0003	DC 24-48 V (min. DC 20 V, max. DC 60 V)	PIR motion sensor*	5.0 oz.
Light Only					
02540.0-00	02540.0-01	02540.0-03	AC 100-240 V, 50/60 Hz (min. AC 90 V, max. AC 265 V)	on/off switch	4.8 oz.
02540.1-00	02540.1-01	02540.1-03	DC 24-48 V (min. DC 20 V, max. DC 60 V)	on/off switch	4.8 oz.
02541.0-00	02541.0-01	02541.0-03	AC 100-240 V, 50/60 Hz (min. AC 90 V, max. AC 265 V)	PIR motion sensor*	5.0 oz.
02541.1-00	02541.1-01	02541.1-03	DC 24-48 V (min. DC 20 V, max. DC 60 V)	PIR motion sensor*	5.0 oz.

*Passive Infrared (PIR) motion sensor is factory pre-set to turn the light off 5 minutes after all motion ceases