

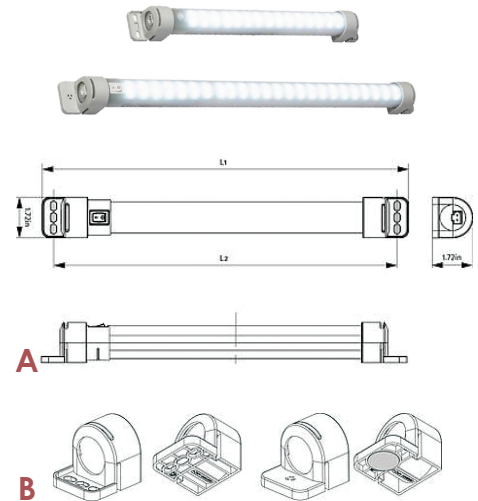


LED 021 | LED 022

ENCLOSURE LIGHTS

The LED 021/022 Varioline is a powerful and compact LED lamp for use in enclosures. Its LED tube emits more than 1,000/1,700 Lm at only 11 W/16 W power consumption, thereby illuminating even very large enclosures in their full depth and height. The glare-free, 360° rotatable LED tube uses Mid-power LEDs with a service life of 60,000 h. The emitted daylight color of 6,500 K provides safety for the user by a natural and non-fading color reproduction.

Power Consumption	max. 11 W / 16 W
Operating Voltage	AC 100 - 240 V, 50/60 Hz (min. AC 90 V, max. AC 265 V)
Luminous Flux	1,080 Lm/1,730 Lm
Lamp Type	LED, angle of radiation 120°, light color: daylight, color temperature: 6.500 K
Service Life	60,000 h at +20 °C (+68 °F)
Connection	2-pole connector with snap lock, AC: max. 2,5 A / AC 240 V, color: white
Mounting*	magnets or M5 screws (not included), torque 2 Nm max.
Housing	plastic, translucent
Dimensions	see drawings
Weight	approx. 7 oz./10.6 oz. (200 g/ 300 g)
Operating/Storage Temperature	-40 to +104 °F / -40 to +185 °F
Operating/Storage Humidity	max. 90 % RH (non-condensing)
Protection Type/Class	IP20 / II (double insulated)
Approvals	UL File No. E234324 / VDE / EAC



Dimensioned Drawings.

A) LED 021 (Size 1): L1 = 15.8 in, L2 = 14.8 in

LED 022 (Size 2): L1 = 23.6 in, L2 = 22.6 in

B) View of magnet and screw fixing

- High luminous flux
- Integrated power unit
- Durable and maintenance-free LED technology
- Daisy chain
- On/off switch or movement sensor
- Magnet or screw fixing



*Mounting options: The lamps are available with magnet fixing for easy positioning in any steel cabinet or enclosure. A classic is the LED 021/022 with M5 screws (not included). With a total rotation angle of 360° it provides perfect illumination. NOTE: The lamp must not be used for household lighting.

Size 1 L1 = 15.8" (400 mm) Magnet Fixing	Size 1 L1 = 15.8" (400 mm) Screw Fixing	Size 2 L1 = 23.6" (600 mm) Magnet Fixing	Size 2 L1 = 23.6" (600 mm) Screw Fixing	Switch
02100.0-30	02100.0-00	02200.0-30	02200.0-00	on/off switch
02110.0-30	02110.0-00	02210.0-30	02210.0-00	PIR motion sensor*
02120.0-30	02120.0-00	02220.0-30	02220.0-00	without switching option

*approx. 5 min. fixed switch-on duration