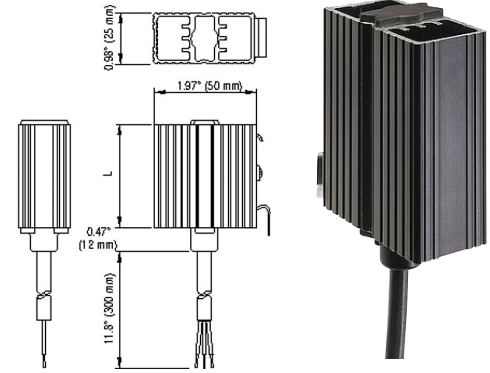


The HGK 047 heaters are used in enclosures to maintain minimum operating temperatures and to help prevent failure of electronic components caused by condensation and corrosion. They are suitable for permanent operation.

<b>Heating Element</b>	PTC resistor, temperature limiting
<b>Heater Body</b>	extruded aluminum profile, anodized
<b>Connection</b>	3 x AWG 20 (0.5 mm <sup>2</sup> ), 12" (300 mm) length
<b>Mounting</b>	clip for 35 mm DIN rail, EN 60715
<b>Mounting Position</b>	vertical airflow (air outlet up, connection on bottom)
<b>Operating / Storage Temperature</b>	-49 to +158 °F (-45 to +70 °C)
<b>Operating / Storage Humidity</b>	max. 90 %RH (non-condensing)
<b>Protection Class / Type</b>	I (grounded) / IP44



*Dimensioned Drawings.*

- Compact size
- Wide voltage range
- Heating power adjusts to ambient temperature
- DIN rail mountable



Part No.	Operating Voltage*	Heating Capacity**	Max Current (Inrush)	Rec. Pre-Fuse T (Time-Delay)	Length (L)	Weight (Approx.)	Approvals
04700.0-00	10 W	AC/DC 120-240 V	1.0 A	2.0 A	2.05"	3.0 oz.	VDE / EAC
04701.0-00	20 W	AC/DC 120-240 V	2.5 A	4.0 A	2.36"	3.6 oz.	VDE / EAC
04702.0-00	30 W	AC/DC 120-240 V	3.0 A	4.0 A	2.76"	4.0 oz.	VDE / EAC
04700.9-00	10 W	AC/DC 120-230 V	1.0 A	2.0 A	2.05"	3.0 oz.	UL File No. E234324 VDE / EAC
04701.9-00	20 W	AC/DC 120-230 V	1.5 A	2.0 A	2.76"	4.0 oz.	UL File No. E234324 VDE / EAC
04702.9-00	30 W	AC/DC 120-230 V	1.5 A	2.0 A	3.94"	5.2 oz.	UL File No. E234324 VDE / EAC

\* (min. 110 V, max 265 V) operating high voltage heaters below AC/DC 140 V reduces heating performance by approx. 10 %

\*\*at 68°F (20°C) ambient temperature