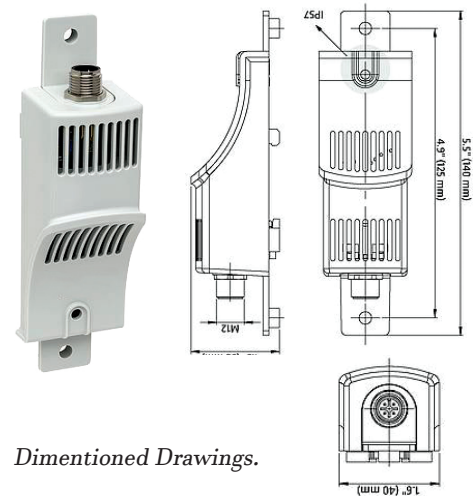


# CSS 014

SMART SENSOR | 24 VDC

The compact Smart Sensor CSS 014 electronically records temperature and humidity and converts the measured data into a standardized analog 4-20 mA or a digital IO-Link signal. The converted value signals can be utilized or further processed by a control or monitoring unit, e.g. a PLC control. The Smart Sensor is suitable for installation inside and outside the enclosure, even in harsh environmental conditions as can be found in the wind power industry: in shielded outdoor areas and exposed to vibrations.

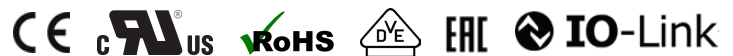
<b>Measuring Signals:</b> Analog (4-20 Ma)/Digital (IO-Link) Digital (IO-Link)	temperature, humidity events, diagnosis, device data
<b>Max. Reaction Time</b>	3 min.
<b>Load Resistance (External)</b>	≤ 500 Ω (4-20 mA only)
<b>Connection</b>	M12 round plug connector, IEC 61076-2-101, 4-pin, A-coded, shielded
<b>Electrical Protection</b>	Reverse-polarity, short circuit, overvoltage protection
<b>Mounting</b>	clip for 35 mm DIN rail, EN 60715 or M5 screws (not included)
<b>Housing</b>	plastic, UL94 V-0, light grey
<b>Dimensions</b>	5.5 x 1.6 x 1.5" (140 x 40 x 38 mm)
<b>Weight</b>	approx. 1.8 oz. (50 g)
<b>Mounting Position</b>	vertical (connection on top)
<b>Storage Temperature</b>	-40 to +185 °F (-40 to +85 °C)
<b>Operating/Storage Humidity</b>	max. 90% RH (non-condensing)
<b>Protection Type*/Protection Class</b>	IP20 (sensor only: IP57) / III (SELV)
<b>Approvals</b>	UL File No. E500143, VDE (acc. to IEC 61010-1/DIN EN 61010-1), EAC



Dimensioned Drawings.

- Analog/digital interface
- Small size
- Easy DIN rail and/or screw mount
- High accuracy
- Quick connection (M12 plug-in connector)
- Large temperature and humidity range
- Various application areas (IEC 61010-1/DIN EN 61010-1)

\* The PCB (printed circuit board) is coated on both sides with a certified protective lacquer to protect against corrosion and for improvement of the tracking resistance.



Part No.	Interface	Operating Voltage	Power Consumption Max.	Temperature Measuring Range	Humidity Measuring Range	Operating Temperature
01420.2-00	4-20 mA (analog)	DC 24 V (DC 12-30 V)	1.8 W (typically 0.4 W)	-40 to +140 °F (40 to +60 °C) ± 1 K	0 to 100 % RH ± 4%**	-40 to +158 °F (-40 to +70 °C)
01411.2-00	IO-Link (digital, specified acc. to version 1.1)	DC 24 V (DC 18-30 V)	0.3 W	-40 to +176 °F (-40 to +80 °C) ± 0.3 K	0 to 100% RH ± 3%**	-40 to +176 °F (-40 to +80 °C)

\*\*Tolerance within 20 to 80 % RH (please request diagram for tolerances outside this range)