

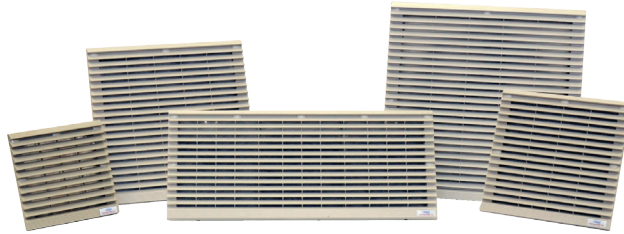
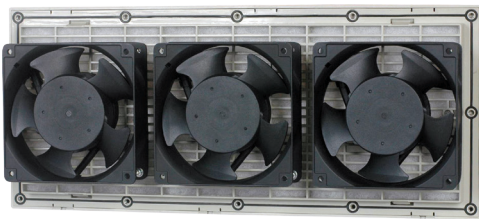


Thermal Edge Inc.™

PLASTIC FILTER FAN PACKAGES

Injection Molded Plastic UL Type 1

- Efficient, Quiet Ball Bearing Fans
- Nylon or electrostatic polypropylene Filter Pad
- Snap-on grille for easy filter maintenance
- Angled louvers to resist moisture
- Package includes fan & exhaust vent
- Mounting Hardware Included
- All Kits Include Integrated Gaskets and Mounting Template
- Pressurized operation standard, reverse flow optional
- Operating temperature 14° F to 131° F



Part Number UL Type 1	CFM Free Flow	CFM With 1 Filter	CFM With 2 Filters	Voltage/Hz.	Rated Amps	RPM
PFFP080-120	75	53	24	115 VAC 50/60	0.11	2900
PFFP080-230	75	53	24	230 VAC 50/60	0.06	2900
PFFP080-D24	89	63	28	24 VDC	0.19	2200
PFFP100-120	131	101	45	115 VAC 50/60	0.17/0.18	3300
PFFP100-230	131	101	45	230 VAC 50/60	0.1/0.11	3300
PFFP100-D24	90	69	31	24 VDC	0.23	3300
PFFP200-120	300	202	91	115 VAC 50/60	0.35/0.40	3300
PFFP200-230	300	202	91	230 VAC 50/60	0.20/0.22	3300
PFFP200-D24	300	202	91	24 VDC	2.1	3900
PFFP390-120	390	280	124	115 VAC 50/60	0.51/0.54	3300
PFFP390-230	390	280	124	230 VAC 50/60	0.30/0.33	3300
PFFP390-D24	270	192	85	24 VDC	0.69	3300
PFFP500-120	850	572	247	115 VAC 50/60	0.50/0.58	2700
PFFP500-230	850	572	247	230 VAC 50/60	0.25/0.30	2700

Accessories:

- Thermostats
- Washable replacement filters
- Vent kits



All information subject to change without notice

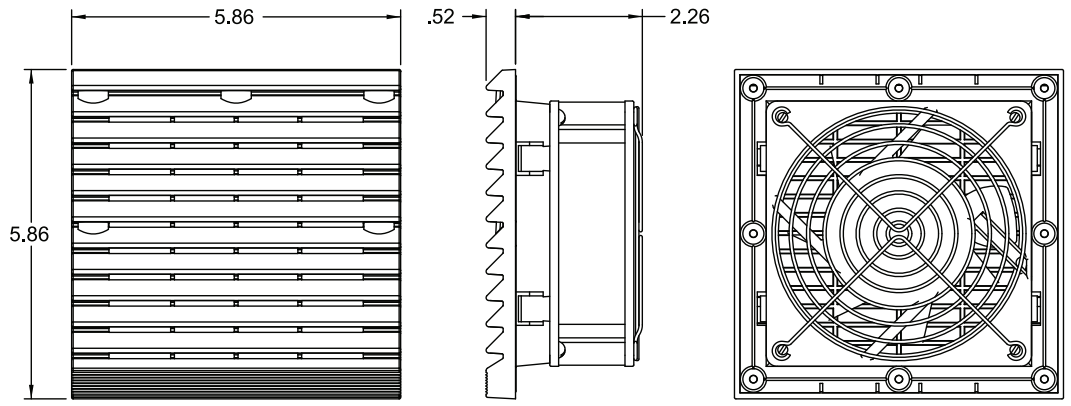
Get the Edge... Get Thermal Edge

Temperature Control Solutions for Electrical Enclosures

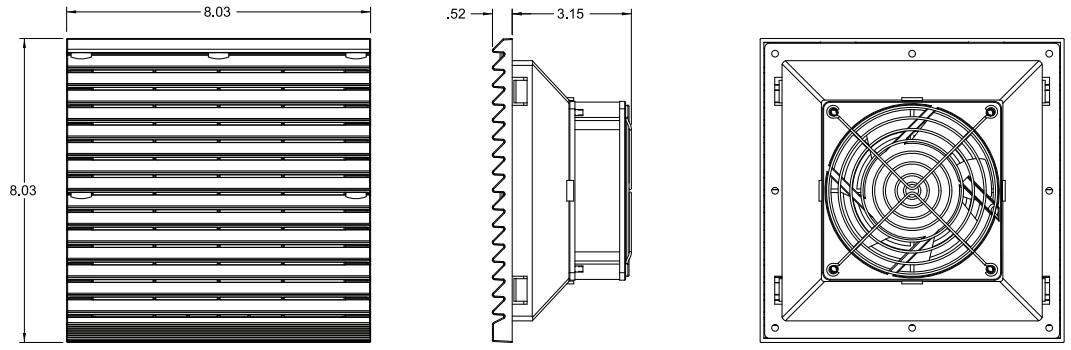
(972) 580-0200 • www.thermal-edge.com • thermalinfo@thermal-edge.com



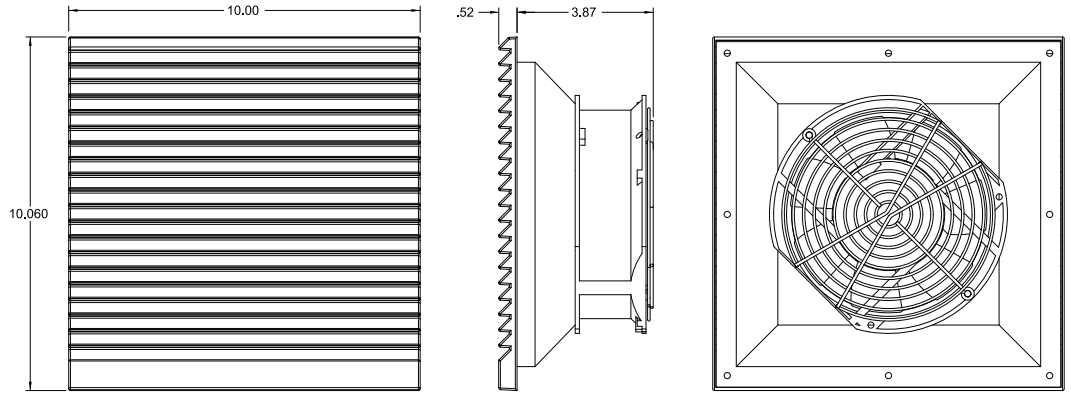
Model PFFP 080



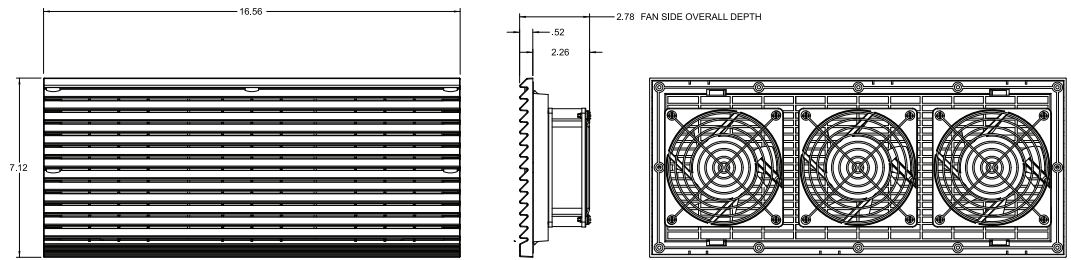
Model PFFP 100



Model PFFP 200



Model PFFP 390



Model PFFP 500

