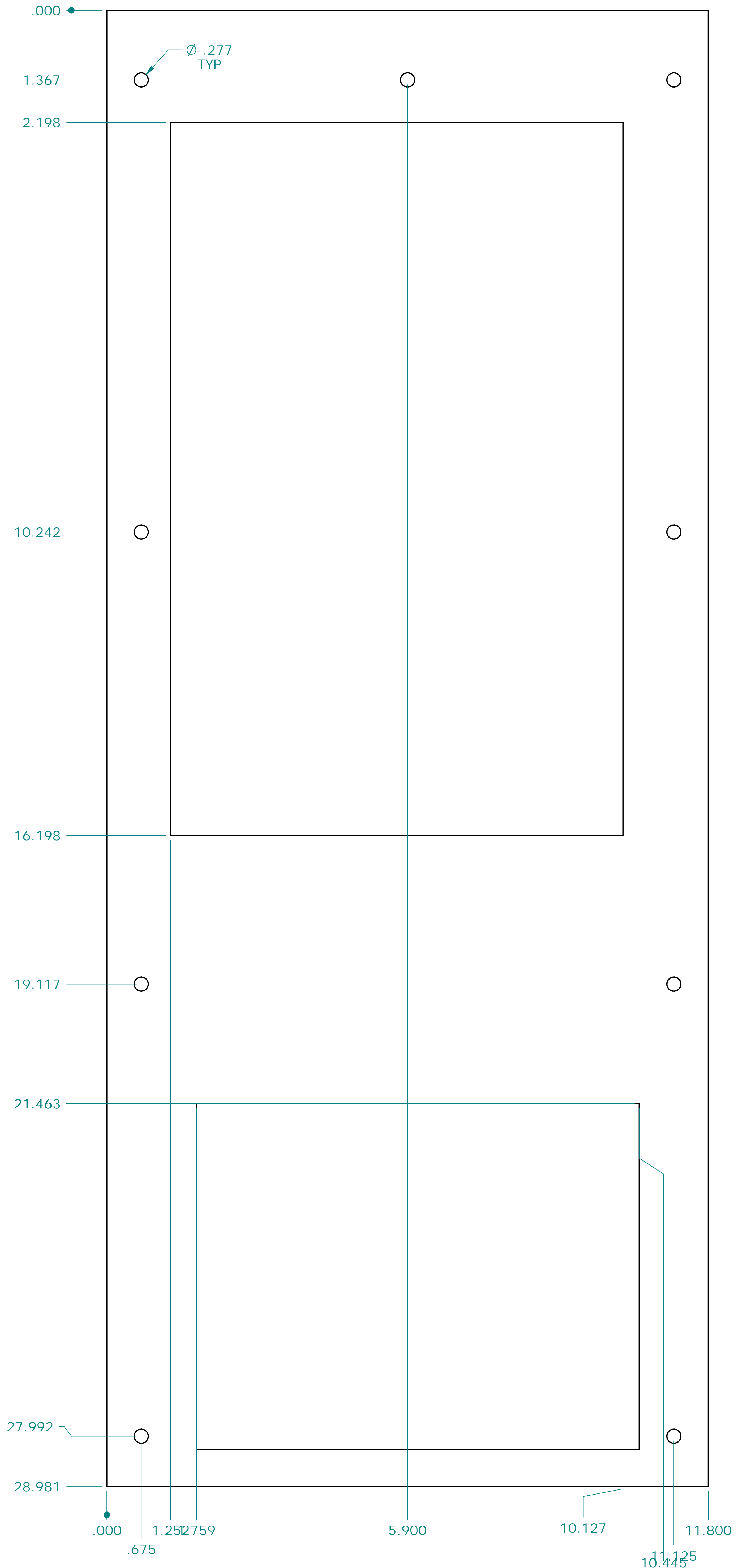




REVISION HISTORY			
REV	DESCRIPTION	DATE	APPROVED




DRAWN	NAME	DATE	 Thermal Edge Inc. TITLE: Template, Cutout A2W60 CUTOUT
CHECKED	dakins	09/23/21	
ENG APPR			
MGR APPR			
UNLESS OTHERWISE SPECIFIED DIMENSIONS ARE IN INCHES ANGLES ±1° or 1 PL ±0.5° 2 PL ±0.02 3 PL ±0.010			SIZE: D DWG NO: A2W60 CUTOUT FILE: A2W60 Mounting Template.dft
SCALE:	WEIGHT:	SHEET 1 OF 3	REV: -

REVISION HISTORY			
REV	DESCRIPTION	DATE	APPROVED
-	1. 2.	00-00-00	ALT

	NAME	DATE	 Thermal Edge Inc. TITLE Template, Cutout A2W60 CUTOUT		
DRAWN	dakins	09/23/21			
CHECKED					
ENG APPR					
MGR APPR			SIZE	DWG NO	REV
UNLESS OTHERWISE SPECIFIED DIMENSIONS ARE IN INCHES ANGLES ±1° or 1 PL ±0.5° 2 PL ±0.02 3 PL ±0.010			D	A2W60 CUTOUT	-
			FILE: A2W60 Mounting_Template.dft		

REVISION HISTORY			
REV	DESCRIPTION	DATE	APPROVED
-	1. 2.	00-00-00	ALT

	NAME	DATE	 Thermal Edge Inc. TITLE Template, Cutout A2W60 CUTOUT		
DRAWN	dakins	09/23/21			
CHECKED					
ENG APPR					
MGR APPR			SIZE	DWG NO	REV
UNLESS OTHERWISE SPECIFIED DIMENSIONS ARE IN INCHES ANGLES ±1° or 1 PL ±0.5° 2 PL ±0.02 3 PL ±0.010			D	A2W60 CUTOUT	-
			FILE: A2W60 Mounting_Template.dft		