



Thermal Edge Inc.™

Air Conditioner Options

DIGITALLY CONTROLLED INTEGRATED HEAT PACKAGE (Hx)

The Thermal Edge Enclosure Heat System is incorporated into the evaporator section of the air conditioner, thereby utilizing the evaporator blower for cooling or heating. Electric heating elements with thermal overloads are available in four ranges to suit most applications. The heater is controlled by our programmable digital controller. The controller has separate programmable upper and lower control limits for cooling and heating, and a programmable dead band to prevent simultaneous operation of heating and cooling. The temperature set points for cooling and heating are set at the factory during production and can be field adjusted in one degree increments. The temperature set points can be protected by a keypad lockout function.

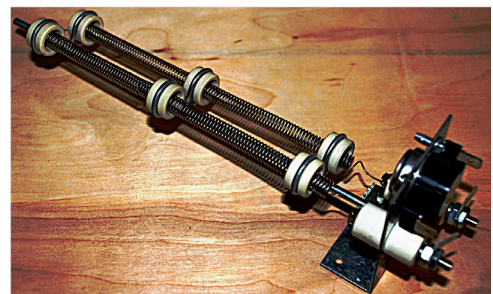
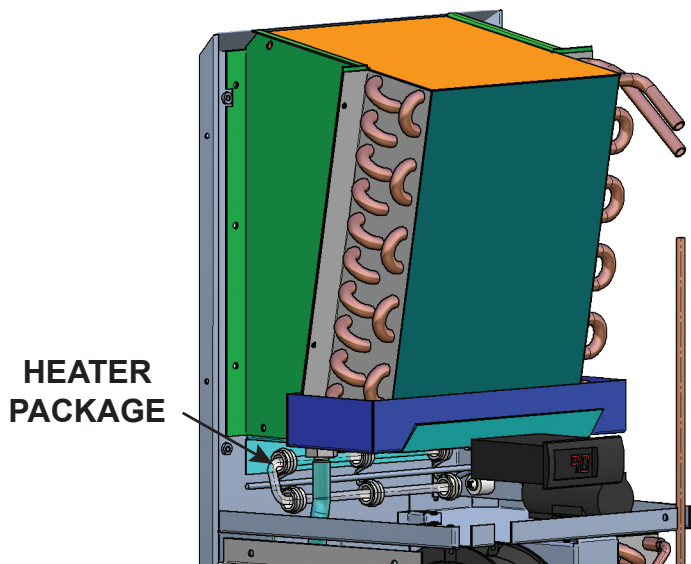
Specifications:

Watts: 350 (CS011), 500, 1000, or 1500 (HC Series)

Default Settings:

Heat Set Point: 55°F

Differential: 3°F



All information subject to change without notice

Get the Edge... Get Thermal Edge

Temperature Control Solutions for Electrical Enclosures

(972) 580-0200 • www.thermal-edge.com • thermalinfo@thermal-edge.com

08Sep2020