



Thermal Edge Inc.™



FILTERED FAN PACKAGES

PFFP085

UL Types 12 & 3R



- Package includes filtered fan & filtered exhaust vent
- Injection Molded UV resistant plastic
 - UL Type 12 color: RAL 7035 light grey
 - UL Type 3R color: RAL 9005 jet black
- Secure snap-in installation on 18 to 11 gauge panels
- Integrated perimeter seal
- Sliding grille for easy filter maintenance
- Quiet, efficient ball bearing fans
 - 100,000 hour L10 lifetime @25°C
 - Thermal motor protection
 - Screwless terminal block electrical connection (28 to 14 AWG)
- Progressive structure synthetic fiber filter medium
 - Washable
 - Class G3 per EN 779
- Hood-free Type 3R rating
- Storage temperature: -40 to 158 °F
- Operating temperature: 14 to 131 °F

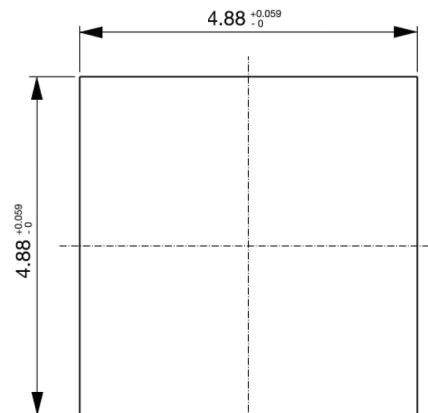
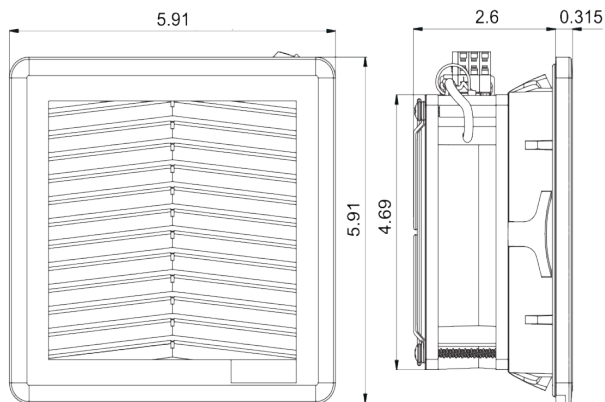
Model	UL Type	Voltage, Frequency	Rated Current (A)	Filtered Fan CFM	CFM with Exhaust Filter	Noise Level (dBA)	Color	Weight (lbs.)
PFFP085-120-12-XXX	12	115V, 50/60	0.260/0.220	39 / 46	26 / 31	40 / 44	RAL 7035 Gray	1.9
PFFP085-230-12-XXX	12	230V, 50/60	0.130/0.100	39 / 46	26 / 31	40 / 44	RAL 7035 Gray	1.9
PFFP085-D24-12-XXX	12	24 VDC	0.310	28	21	42.5	RAL 7035 Gray	1.2
PFFP085-120-3R-XBX	3R	115V, 50/60	0.260/0.220	29 / 35	18.5 / 22	40 / 44	RAL 9005 Black	2.1
PFFP085-230-3R-XBX	3R	230V, 50/60	0.130/0.100	29 / 35	18.5 / 22	40 / 44	RAL 9005 Black	2.1
PFFP085-D24-3R-XBX	3R	24 VDC	0.310	21	14.5	42.5	RAL 9005 Black	1.2

Accessories

- Additional filtered exhaust vent
- Replacement filter media
- Plastic adaptor (reduce fan intrusion into electrical enclosure)
- Stainless steel hood (IP56 pressurized wash down protection)
- Thermostats



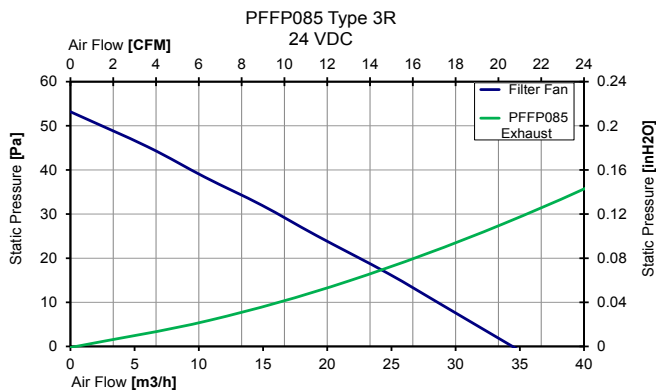
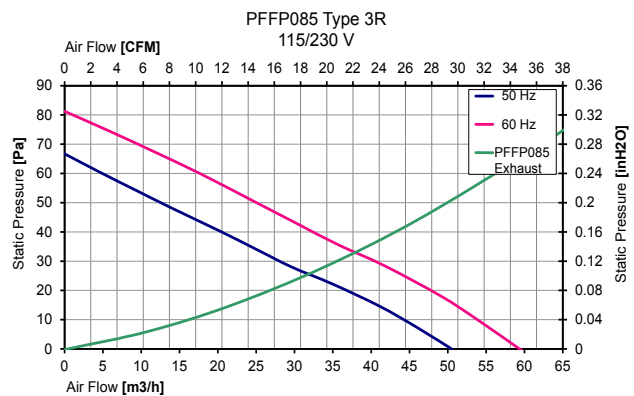
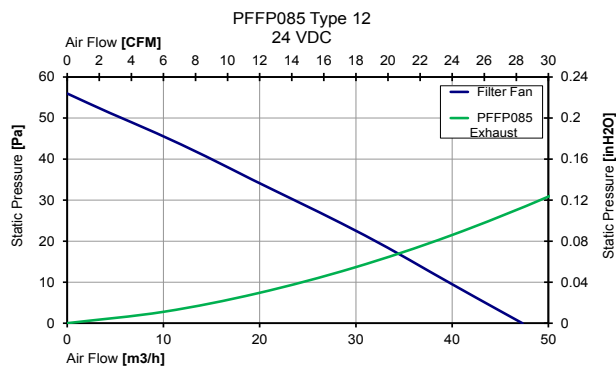
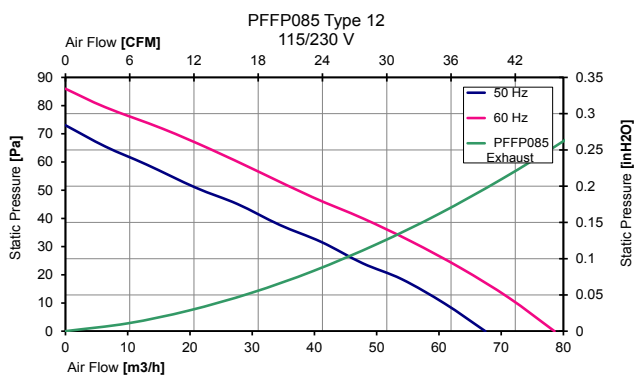
PFFP085 Filtered Fan Packages



NOTE:
Type 3R cutout
dimensions:
4.921 +.059 -0

CUTOUT DIMENSIONS (IN)

Testing done under controlled conditions. Actual performance may vary.



UL File # E502939

All information subject to change without notice

Get the Edge... Get Thermal Edge

Temperature Control Solutions for Electrical Enclosures

(972) 580-0200 • www.thermal-edge.com • thermalinfo@thermal-edge.com

