

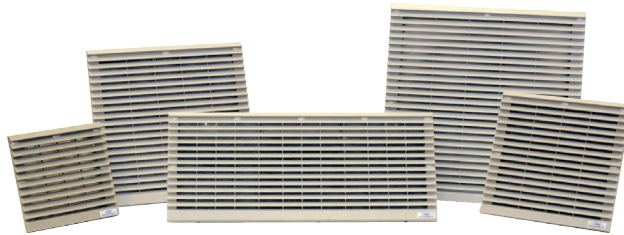
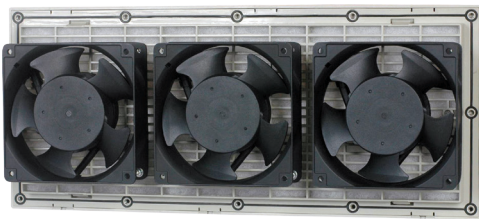


**Thermal Edge Inc.™**

# PLASTIC FILTER FAN PACKAGES

## Injection Molded Plastic

- Efficient, Quiet Ball Bearing Fans
- Nylon or polypropylene Filter Pad
- Snap-on grille for easy filter maintenance
- Angled louvers to resist moisture
- Package includes fan & exhaust vent
- Mounting Hardware Included
- All Kits Include Integrated Gaskets and Mounting Template
- Pressurized operation standard, reverse flow optional
- Temperature Range - 40° F to 158° F



Part Number UL Type 1	Part Number UL Type 3R	CFM Free Flow	CFM With 1 Filter	CFM With 2 Filters	Voltage/Hz.	Rated Amps	RPM
PFFP080-120	PFFP080-120-3R	75	53	24	115 VAC 50/60	.11	2900
PFFP080-230	PFFP080-230-3R	75	53	24	230 VAC 50/60	.06	2900
PFFP080-D24	PFFP080-D24-3R	89	63	28	24 VDC	.19	2200
PFFP100-120	PFFP100-120-3R	131	101	45	115 VAC 50/60	0.17/0.18	3300
PFFP100-230	PFFP100-230-3R	131	101	45	230 VAC 50/60	0.1/0.11	3300
PFFP100-D24	PFFP100-D24-3R	90	69	31	24 VDC	0.23	3300
PFFP200-120	PFFP200-120-3R	300	202	91	115 VAC 50/60	0.35/0.40	3300
PFFP200-230	PFFP200-230-3R	300	202	91	230 VAC 50/60	0.20/0.22	3300
PFFP200-D24	PFFP200-D24-3R	300	202	91	24 VDC	2.1	3900
PFFP390-120	PFFP390-120-3R	390	280	124	115 VAC 50/60	0.51/0.54	3300
PFFP390-230	PFFP390-230-3R	390	280	124	230 VAC 50/60	0.30/0.33	3300
PFFP390-D24	PFFP390-D24-3R	270	192	85	24 VDC	0.69	3300
PFFP500-120	PFFP500-120-3R	850	572	247	115 VAC 50/60	0.50/0.58	2700
PFFP500-230	PFFP500-230-3R	850	572	247	230 VAC 50/60	0.25/0.30	2700

### Accessories:

- Thermostats
- 3R Shrouds
- Washable replacement filters
- Vent kits



All information subject to change without notice

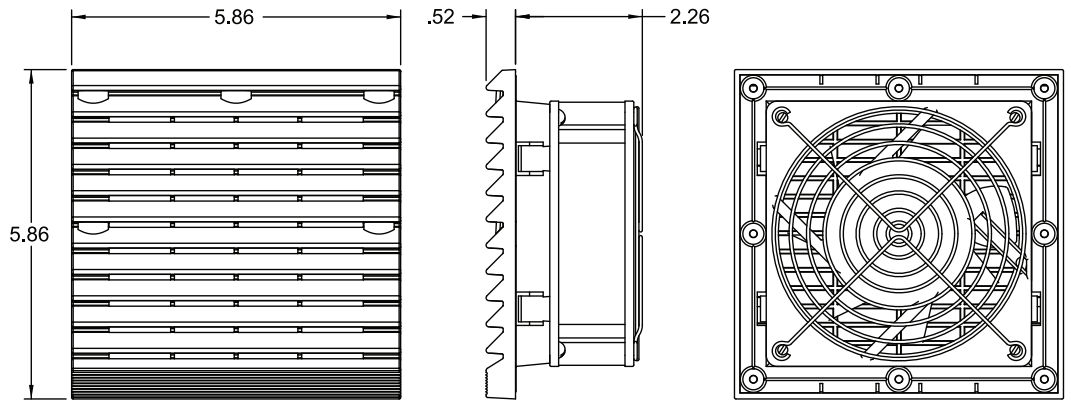
**Get the Edge... Get Thermal Edge**

Temperature Control Solutions for Electrical Enclosures

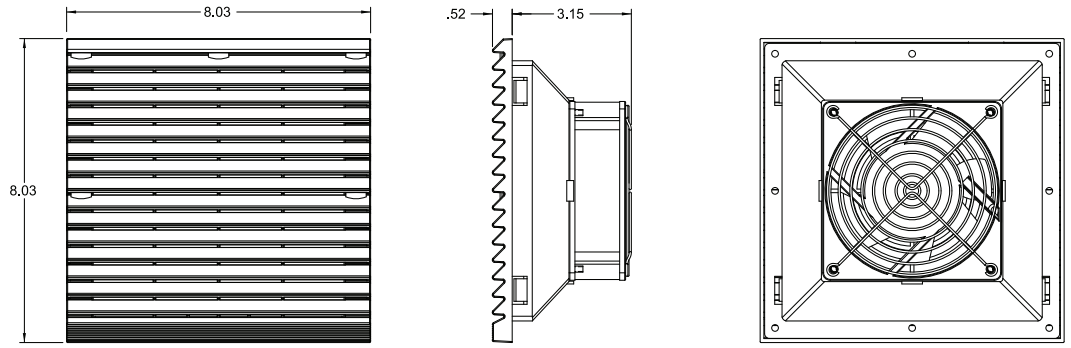
(972) 580-0200 • www.thermal-edge.com • thermalinfo@thermal-edge.com



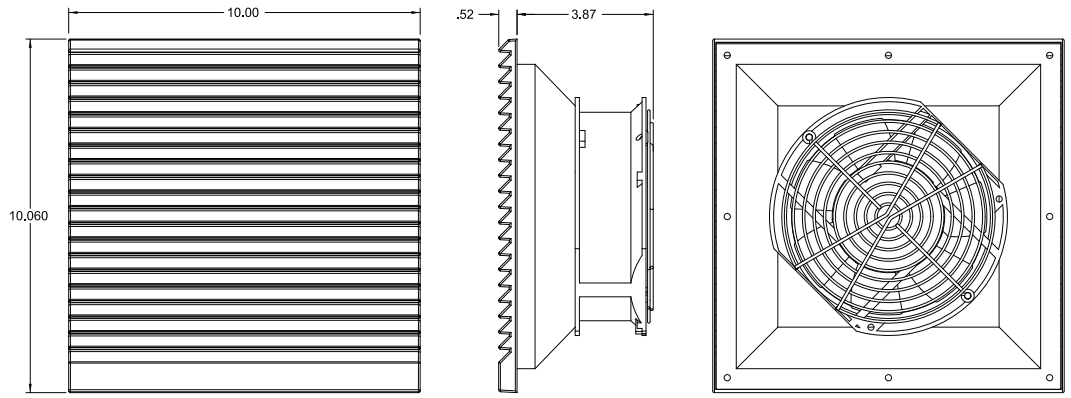
**Model PFFP 080**



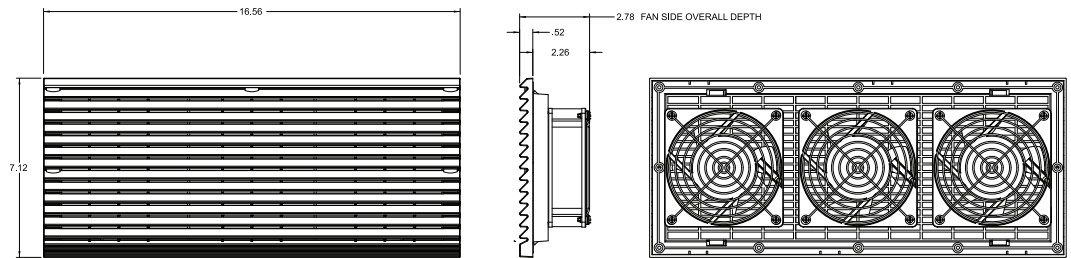
**Model PFFP 100**



**Model PFFP 200**



**Model PFFP 390**



**Model PFFP 500**

