



Thermal Edge Inc.™

METAL FILTER FAN PACKAGES

Powder Coated and Stainless Steel

- 16 Gauge Powder Coated Mild Steel
- Efficient, Quiet Ball Bearing Fans
- Electrostatic Polypropylene Filter Pad
- Pressurized operation standard, reverse flow optional
- Package includes fan & exhaust
- Available in 304 Stainless Steel
- All Kits Include Gaskets, Hardware and Templates
- Includes 8' Cord with Plug
- Temperature Range - 40° F to 158° F



ANSI 61 Powder Coated Mild Steel

304 Stainless Steel (XAX)

Part Number UL Type 1	Part Number UL Type 3R	CFM Free Flow	CFM With 1 Filter	CFM With 2 Filters	Voltage/Hz.	Rated Amps	RPM
MFFP100-120	MFFP100-120-3R	131	101	45	115 VAC 50/60	0.17/0.18	3300
PFFP100-230	MFFP100-230-3R	131	101	45	230 VAC 50/60	0.1/0.11	3300
MFFP100-D24	MFFP100-D24-3R	90	69	31	24 VDC	0.23	3300
MFFP200-120	MFFP200-120-3R	300	202	91	115 VAC 50/60	0.35/0.40	3300
MFFP200-230	MFFP200-230-3R	300	202	91	230 VAC 50/60	0.20/0.22	3300
MFFP200-D24	MFFP200-D24-3R	300	202	91	24 VDC	2.1	3900
MFFP200-120-01-XAX	MFFP200-120-3R-XAX	300	202	91	115 VAC 50/60	0.35/0.40	3300
MFFP200-230-01-XAX	MFFP200-230-3R-XAX	300	202	91	230 VAC 50/60	0.20/0.22	3300
MFFP200-D24-01-XAX	MFFP200-D24-3R-XAX	300	202	91	24 VDC	2.1	3900
MFFP500-120	MFFP500-120-3R	850	572	247	115 VAC 50/60	0.50/0.58	2700
MFFP500-230	MFFP500-230-3R	850	572	247	230 VAC 50/60	0.25/0.30	2700

Accessories:

- Thermostats
- 3R Shrouds
- Washable replacement filters
- Vent kits



UL File # E319601

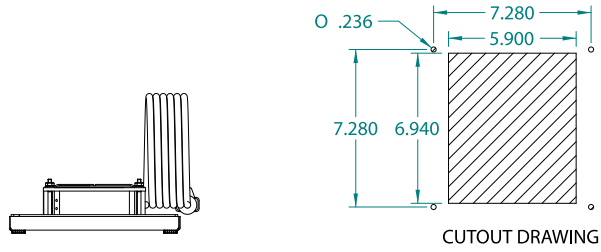
All information subject to change without notice

Get the Edge... Get Thermal Edge

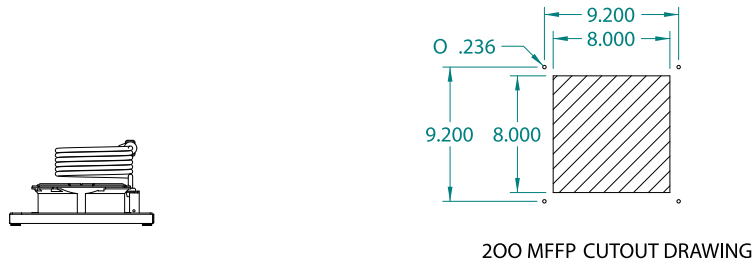
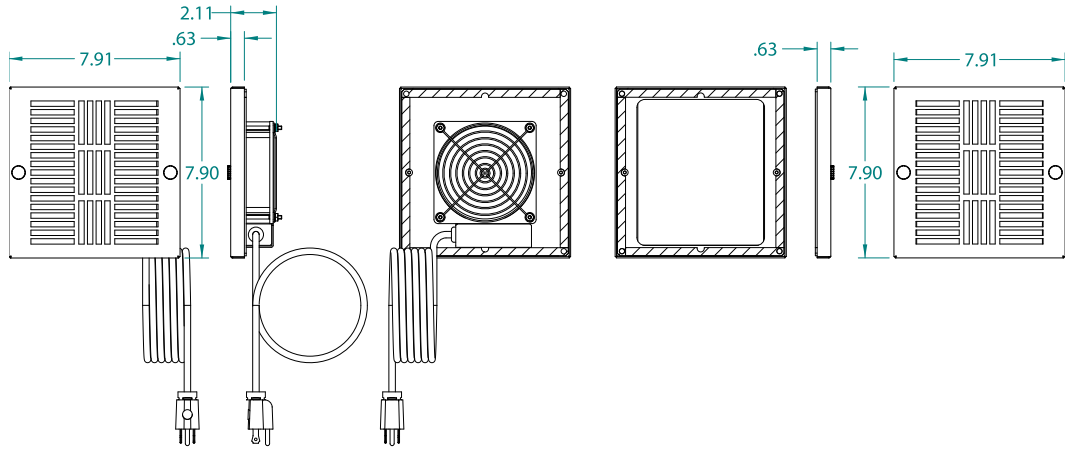
Temperature Control Solutions for Electrical Enclosures

(972) 580-0200 • www.thermal-edge.com • thermalinfo@thermal-edge.com

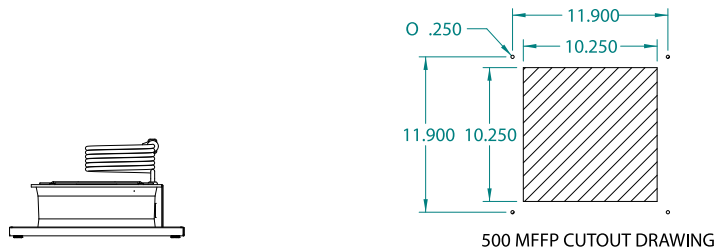
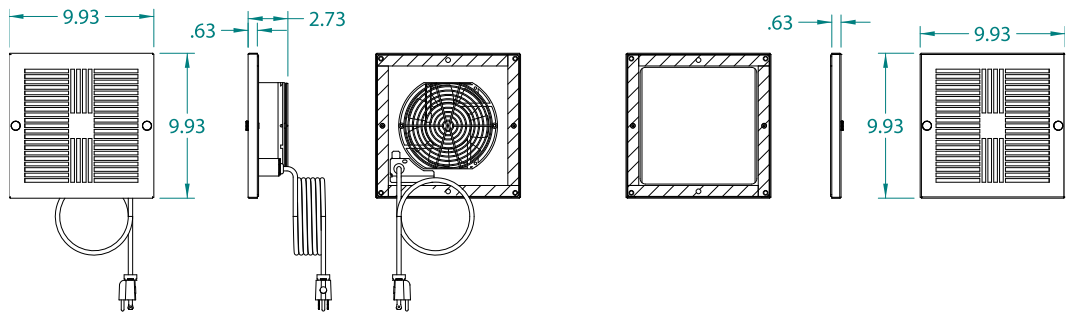




Model MFFP 100



Model MFFP 200



Model MFFP 500

