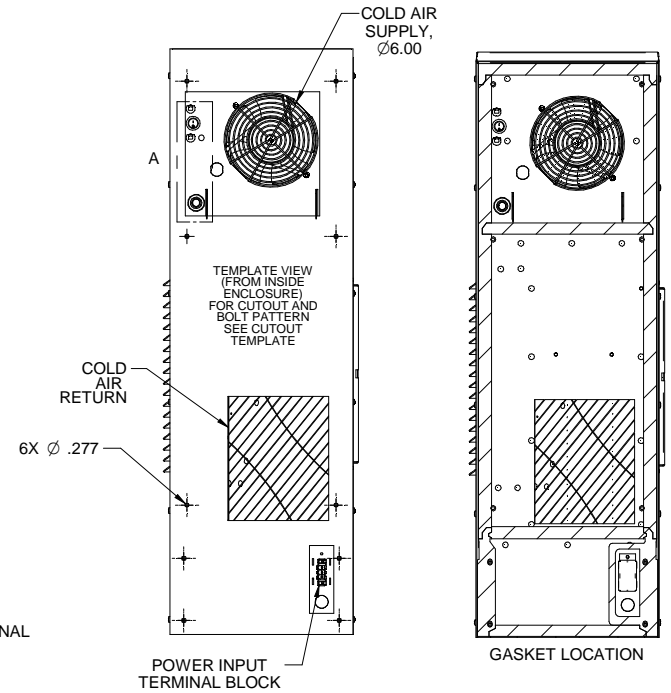
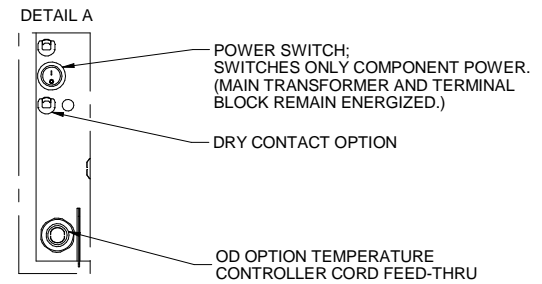
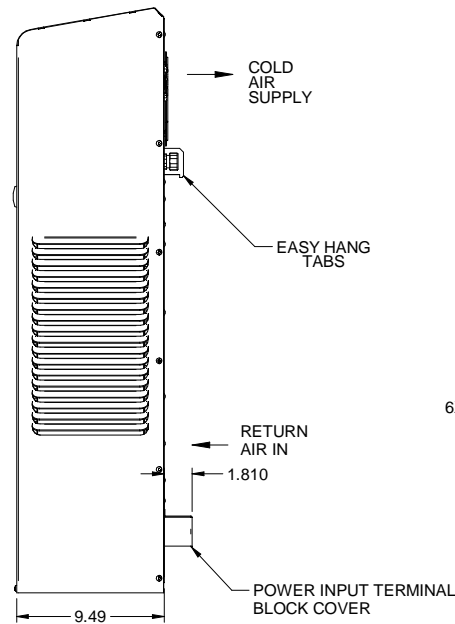
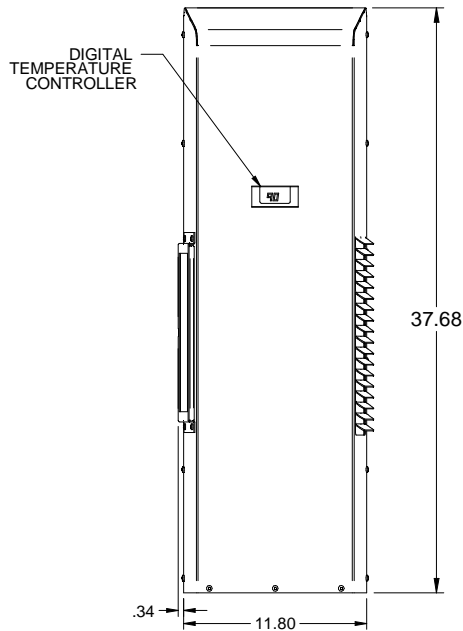
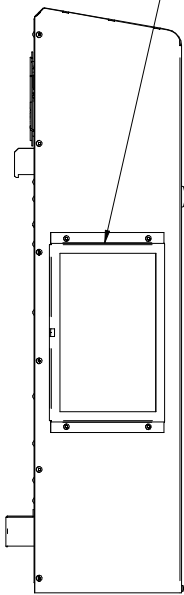
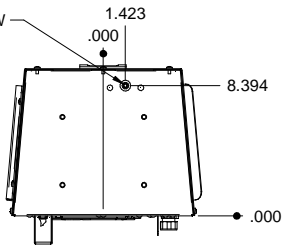


AMBIENT AIR IN.  
REUSABLE FILTER:  
1) SLIDING 1" FRAME STANDARD  
2) 2" FRAME FOR PLEATED FILTER OPTIONAL

OPTIONAL 2" PLEATED FILTER.



CONDENSATE EMERGENCY OVERFLOW  
11/16-16 STRAIGHT THREAD  
MAXIMUM THREAD DEPTH .31"



TITLE		<b>NARROW EDGE</b>	
		<b>2,000/3,000/4,000 BTU<sub>h</sub></b>	
		<b>380V-575VAC MODELS</b>	
SIZE	DWG NO	REV	
72 X 54	<b>NE020/NE030/NE040</b>	-	2/18/2016
		<b>380V-575V</b>	
SCALE:	WEIGHT:	SHEET 1 OF 1	